

Anglo-Chinese School
(Junior)



NON-WEIGHTED BITE-SIZED ASSESSMENT 2 (2023)
PRIMARY 6
MATHEMATICS

Tuesday

9 May 2023

50 min

Name: _____ ()

Class: 6.()

Parent's Signature: _____

INSTRUCTIONS TO PUPILS

- 1 Do not turn over the pages until you are told to do so.
- 2 Follow all instructions carefully.
- 3 Answer ALL questions.
- 4 The use of calculators is not allowed for this paper.

Section	Possible Marks	Marks Obtained
A	10	
B	15	
C	10	
Total	35	

This question paper consists of 13 printed pages (inclusive of cover page).

Section A

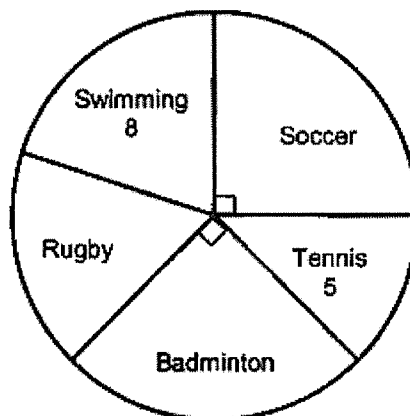
Questions 1 to 4 carry 1 mark each. Questions 5 to 7 carry 2 marks each. For each question, four options are given. One of them is the correct answer. Make your choice (1, 2, 3 or 4). Shade the correct oval (1, 2, 3 or 4) on the Optical Answer Sheet (OAS). (10 marks)

1. Round 498 675 to the nearest thousand.

- 1) 490 000
- 2) 498 000
- 3) 499 000
- 4) 500 000

2. The pie chart shows the CCAs taken up by a class of 40 students. How many students take up Rugby as a CCA?

- 1) 7
- 2) 8
- 3) 9
- 4) 10



2

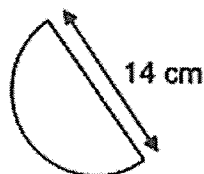
Sub-Total :

3. There are 720 beads in a box. 180 of the beads are red. What percentage of the beads are not red?

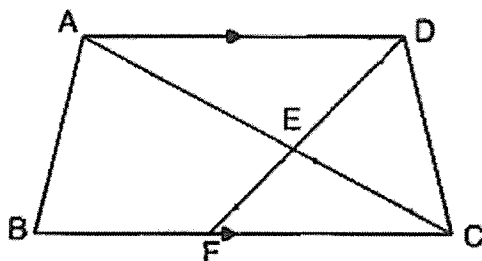
- 1) 20%
- 2) 25%
- 3) 33%
- 4) 75%

4. The figure shows a semicircle. The diameter of the semicircle is 14 cm. What is the perimeter of the of the figure? Take $\pi = \frac{22}{7}$

- 1) 22 cm
- 2) 36 cm
- 3) 44 cm
- 4) 58 cm



5. ABCD is a trapezium. FED and AEC are straight lines.

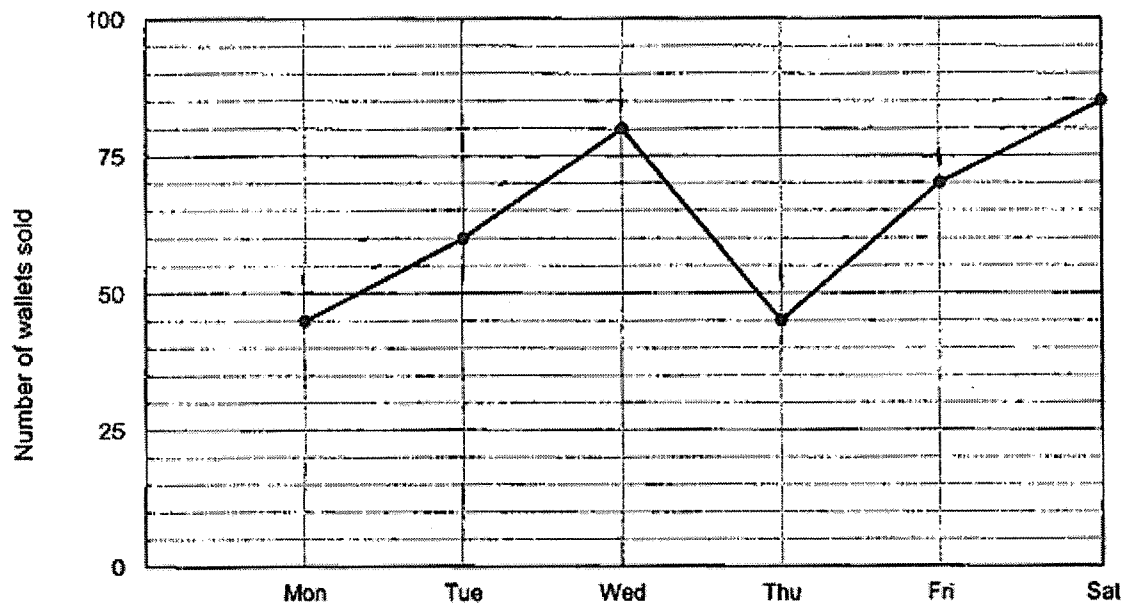


Which of the following statements is not true?

- 1) $\angle AEF = \angle DEC$
- 2) $\angle ABC + \angle DCB = 180^\circ$
- 3) $\angle ADE + \angle DAE = \angle EFC + \angle FCE$
- 4) $\angle ABF + \angle BFE + \angle EDA + \angle DAB = 360^\circ$

6. A string of length 5.4 m was cut into three pieces. The second piece was $\frac{1}{3}$ as long as the first piece. The second piece was twice as long as the third piece. How long was the second piece?
- 1) 0.6 m
 - 2) 0.9 m
 - 3) 1.2 m
 - 4) 1.8 m
7. Glenn wants to pack 56 erasers and 70 rulers into as many bags as possible, with no remainder. The total number of erasers and rulers was the same in each bag. The number of erasers in each bag was the same. How many erasers were there in each bag?
- 1) 28
 - 2) 14
 - 3) 8
 - 4) 4
-

10. The line graph shows the number of wallets sold in a shop from Monday to Saturday.



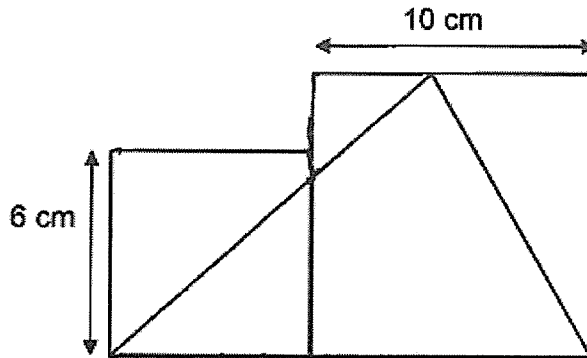
During which one-day interval was the increase in the number of wallets sold by the shop the greatest?

Ans : From _____ to _____

6

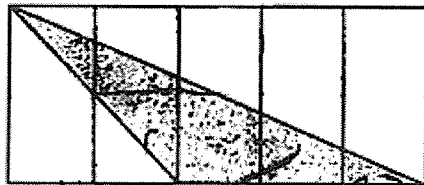
Sub-Total :

11. The figure is made up of two squares. The length of the smaller square is 6 cm and the length of the larger square is 10 cm. Find the area of the shaded part.



Ans : _____ cm^2

12. The figure is made up of 5 rectangles. What fraction of the whole figure is shaded?



Ans : _____

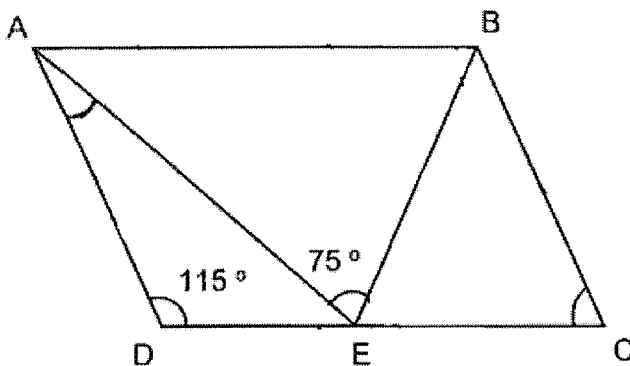
Section B2

Questions 13 to 17 carry 2 marks each. Show your working clearly and write your answers in the spaces provided. For questions which require units, give your answers in the units stated. (10 marks)

13. At a musical, the ratio of the number of adults to the number of children was 7 : 4. Among the adults, the ratio of the number of men to the number of women was 1 : 2. What was the ratio of the number of women to the number of children? Express your answer in the simplest form.

Ans : _____

14. ABCD is a parallelogram. $BC = BE$, $\angle ADE = 115^\circ$ and $\angle AEB = 75^\circ$. Find $\angle DAE$.

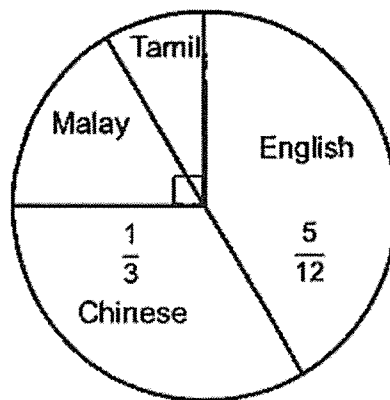


Ans : _____

15. A cubical tank of edge 20 cm is $\frac{3}{8}$ -filled with water. Water started leaking out the tank through a crack at 60 cm^3 per minute. How many minutes will it take for the tank to be completely empty?

Ans : _____ min

16. The pie chart shows the type of books in a library.



The number of Tamil books is $\frac{1}{2}$ the number of Malay books and there are 400 more Chinese books than Malay books. How many books are there in the library altogether?

Ans : _____

Sub-Total :

17. Kelvin has just enough money to buy 15 files. If the price of each file is reduced by 30¢ he will be able to buy 3 more files. What is the original price of each file? Give your answers in dollars.

10

Sub-Total :

Section C

For questions 18 to 20, show your working clearly question and write your answers in the spaces provided. The number of marks available is shown in brackets [] at the end of each question or part-question.

(10 marks)

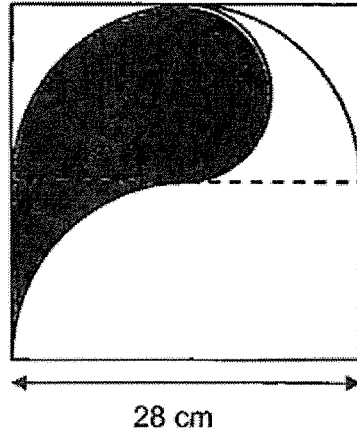
18. Ahmad has some 10-cent, 20-cent and 50-cent coins. There are 3 times as many 50-cent coins as 20-cent coins. The number of 50-cent coins is $\frac{3}{5}$ of the number of 10-cent coins. The total amount of the 50-cent and 10-cent coins Ahmad has is \$84. What is the total number of 50-cent and 10-cent coins Ahmad had?

Ans : _____ [3]

11

Sub-Total :

19. The figure below is made up on a square, a large semicircle, a small semicircle and 2 quarter circles. The length of each side of the square is 28 cm. Find the area of the shaded part. Take $\pi = \frac{22}{7}$



Ans _____ [3]

12

Sub-Total :

20. Xueqing filled two types of containers, large and small, with sugar. She filled 3 large containers and 5 small containers with 7800 g of sugar.

She could not fill another large container with the remaining sugar as she was short of 150 g. Instead, she filled another small container and had 450 g of sugar left.

- (a) How many more grams of sugar did each large container hold than each small container?
- (b) How much sugar did Xueqing have at first? Leave your answer in kilograms.

Ans : (a) _____ [1]

(b) _____ [3]

End of Paper

Sub-Total :

SCHOOL : ACS (J) PRIMARY SCHOOL

LEVEL : PRIMARY 6

SUBJECT : MATH

TERM : WA2

Q 1	Q2	Q3	Q4	Q5	Q6	Q7
3	1	4	2	2	3	4

8)	25%
9)	$10 \times 10 = 100$ $1600 \div 100 = 16 \text{ cm}$
10)	From Thu to Fri
11)	$\frac{1}{2} \times 16 \times 10 = 80 \text{ cm}^2$
12)	$\frac{3}{10}$
13)	7: 6
14)	$180 - 75 - 65 = 40^\circ$ $180 - 40 - 115 = 25^\circ$
15)	$20 \times 20 \times 20 = 8000$ $8000 \div 8 = 1000$ $1000 \times 3 = 3000$ $3000 \div 60 = 50 \text{ min}$
16)	2400
17)	\$1.80
18)	336
19)	273 cm^2
20)	a) 600g b) 9kg

