

Name: _____ ()

Class: Primary 5 _____

CHIJ ST NICHOLAS GIRLS' SCHOOL (PRIMARY)



Primary 5 Mathematics

Termly Assessment 2

Total Marks	36
--------------------	-----------

Time: 1 hour

INSTRUCTIONS TO CANDIDATES

Do not turn over this page until you are told to do so.

Follow all instructions carefully.

Answer all questions.

Write your answers in this booklet

The use of an approved calculator is expected, where appropriate.

This booklet consists of 9 printed pages.

Questions 1 to 3 carry 2 marks each. Show your working clearly and write your answers in the spaces provided. For questions, which require units, give your answers in the units stated. (6 marks)

Do not write in this space

1. Dion had 10 800 balloons. She packed 50 balloons into each bag. She used 175 bags altogether. How many balloons were left unpacked?

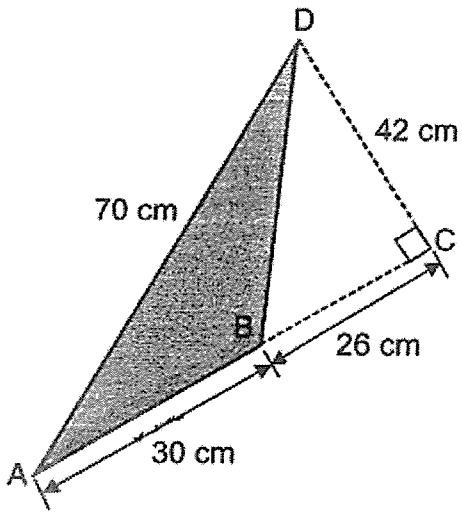
Ans : _____

2. Elias, Fred and Gopal collected some cards in the ratio 13 : 7 : 12. Fred collected 48 fewer cards than Elias. How many cards did Gopal collect?

Ans : _____



3. In the figure below, AB is the base of Triangle ABD.
What is the area of Triangle ABD?



Do not
write
in this
space

Ans : _____ cm²



For questions 4 to 11, show your working clearly and write your answers in the spaces provided. The number of marks available is shown in the brackets () at the end of each question or part-question. (30 marks)

Do not write in this space

4. Sally had a roll of ribbon. She cut out 8 ribbons of length $1\frac{1}{4}$ m each to wrap some presents. She was left with $3\frac{1}{10}$ m of ribbon. What was the length of the roll of ribbon Sally had at first? Leave your answer as a mixed number.



Ans : _____ [3]

5. Ning Hui saved the same amount of money every week for 9 weeks. With the total amount of money saved in the 9 weeks, she bought a pair of shoes that cost \$142.35. She had \$7.50 left in the end. How much money did Ning Hui save every week?

Ans : _____ [3]

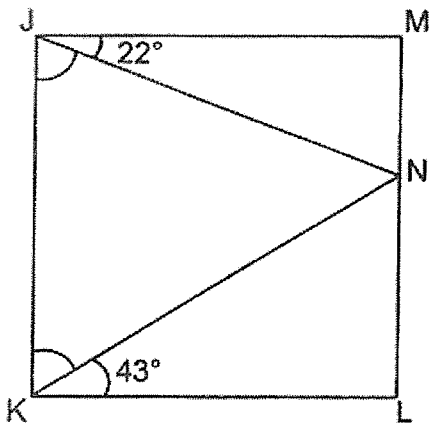


6. At a bookshop, the ratio of the number of magazines to the number of storybooks to the number of comics is $10 : 3 : 4$. There are 252 storybooks and comics altogether. How many magazines are there?

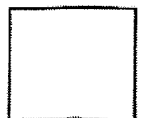
Do not write in this space

Ans : _____ [3]

7. JKLM is a square. Find the sum of $\angle NJK$ and $\angle JKN$.



Ans : _____ [3]



8. Jean and Indira each bought 2 kg of flour to make some pancakes. The same amount of flour was used for each pancake. Jean made 45 pancakes and had 650g of flour left. Indira made 10 more pancakes than Jean.

Do not write in this space

- (a) How much flour was used for each pancake?
- (b) With the remaining flour from both girls, how many more such pancakes can be made at most?

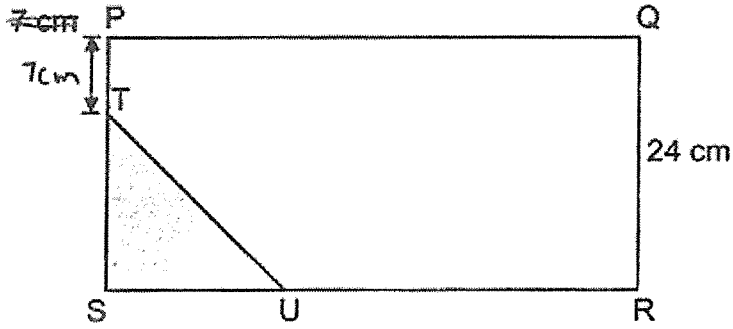
Ans : (a) _____ [1]

(b) _____ [3]



9. In the figure below, PQRS is a rectangle and STU is a triangle.
 PQ is twice of QR and SR is three times of SU.
 Find the area of the unshaded part.

Do not
 write
 in this
 space



Ans : _____ [4]



10. Lindon saved $\frac{2}{7}$ of his money and gave $\frac{3}{5}$ of the remainder to his mother.
Then he divided the remaining amount equally between his 4 sisters.

(a) What fraction of Lindon's money did he divide among each of his 4 sisters? Leave your answer in the simplest form.

(b) Each of his 4 sisters received \$115. How much money did Lindon have at first?

Do not
write
in this
space

Ans : (a) _____ [2]

(b) _____ [3]



11. Olivia and Patricia bought some gift cards at the prices shown below.

Type of Gift Cards	Price
Small	3 for \$5
Large	2 for \$7

Do not
write
in this
space

- (a) Olivia spent a total of \$36 on some small and large gift cards.
How many small gift cards did Olivia buy?
- (b) Patricia bought an equal number of small and large gift cards.
She spent \$33 more on the large cards. How many small and large
gift cards did Patricia buy altogether?

Ans : (a) _____ [2]

(b) _____ [3]

End of Paper



SCHOOL : CHIJ ST NICHOLAS GIRLS' PRIMARY SCHOOL
 LEVEL : PRIMARY 5
 SUBJECT : MATH
 TERM : TERM 2 ASSESSMENT 2

PAPER 2

Q1)	$10800 \div 50 = 216$ $216 - 175 = 41$ $41 \times 50 = 2050$ Ans: 2050 balloons
Q2)	$13 - 7 = 6$ $48 \div 6 = 8$ $8 \times 12 = 96$ Ans: 96 cards
Q3)	$\frac{1}{2} \times 30 \times 42 = 630$ Ans: 630 cm²
Q4)	$1\frac{1}{4} \times \frac{8}{1} \times 10$ $10 + 3\frac{1}{10} = 13\frac{1}{10}$ Ans: 13$\frac{1}{10}$ m
Q5)	$142.35 + 7.50 = 149.85$ $149.85 \div 9 = 16.65$ Ans: \$16.65
Q6)	$3 + 4 = 7$ $252 \div 7 = 36$ $36 \times 10 = 360$ Ans: 360 magazines
Q7)	$90 - 22 = 68$ $90 - 43 = 47$ $47 + 68 = 115$ Ans: 115°
Q8)	a) $2000 - 650 = 1350$ $1350 \div 45 = 30$ Ans: 30g b) $45 + 10 = 55$ $55 \times 30 = 1650$ $2000 - 1650 = 350$ $350 + 650 = 1000$ $1000 \div 30 = 33 \text{ R}10$ Ans: 33 pancakes
Q9)	$24 - 7 = 17$ $24 \times 2 = 48$ $48 \div 3 = 16$

	$\frac{1}{2} \times 16 \times 17 = 136$ $24 \times 48 = 1152$ $1152 - 136 = 1016$ Ans: 1016 cm²						
Q10)	a) Ans: $\frac{2}{7}$ b) $115 \times 4 = 460$ $460 \div 2 = 230$ $230 \times 7 = 1610$ Ans: \$1610						
Q11)	No. of small cards	Price	No. of large cards	Price	Total	Correct or wrong	
	6	\$10	8	\$28	\$38	x	
	6	\$10	10	\$35	\$45	x	
	3	\$5	4	\$14	\$19	x	
	3	\$5	10	\$35	\$40	x	
	3	\$5	8	\$18	\$33	x	
	9	\$15	4	\$14	\$29	x	
	9	\$15	6	\$21	\$36	√	
	a) 9 small gift cards						
	No. of small cards	Price	No. of large cards	Price	Total	Correct or wrong	
	6	\$10	6	\$21	\$11	x	
	12	\$20	12	\$42	\$22	x	
	18	\$30	18	\$63	\$33	√	
	18 + 18 = 36						
b) 36 gift cards							