



HENRY PARK PRIMARY SCHOOL  
2023 WEIGHTED ASSESSMENT 2  
MATHEMATICS  
PRIMARY 5

Name: \_\_\_\_\_ ( )

Class: Primary 5 \_\_\_\_\_

Duration of Paper: 40 min

Marks:

Section 1 Short Answer Questions	8
Section 2 Long Answer Questions	17
Total	25

The use of calculator is allowed.

## Section 1

Questions 1 to 4 carry 2 marks each. Show your working clearly and write your answers in the spaces provided. For questions which require units, give your answers in the units stated. (8 marks)

---

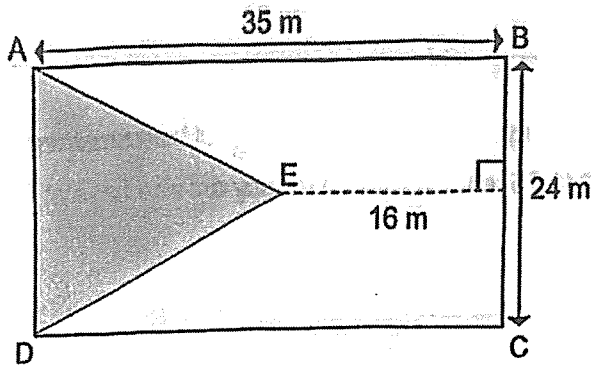
- 1 Ahmad had 380 kg of flour. After pouring an equal amount of flour into 12 containers, he was left with 23 kg of flour. How much flour did he pour into each container? Express your answer as a decimal.

Ans: \_\_\_\_\_ kg

- 2 Ethan, Farid and Gavin shared some sweets in the ratio of 5 : 4 : 7. Farid received 108 sweets. How many more sweets did Gavin receive than Ethan?

Ans: \_\_\_\_\_

- 3 In the figure below, ABCD is a rectangle with a shaded triangle AED. Find the area of the triangle AED.



Ans: \_\_\_\_\_ m<sup>2</sup>

- 4 Mark donated  $\frac{2}{5}$  of his savings to a charity. He spent \$55 on toys and had  $\frac{1}{2}$  of his savings left.

Each of the statements below is either true, false or not possible to tell from the information given. For each statement, put a tick (✓) to indicate your answer.

Statement	True	False	Not possible to tell
The amount of money Mark donated to charity is more than the amount of savings left.			
Mark spent $\frac{1}{5}$ of his money on toys.			
Mark donated \$220 to a charity.			

## Section 2

For questions 5 to 9, show your working clearly and write your answers in the spaces provided. The number of marks available is shown in the brackets [ ] at the end of each question or part-question. (17 marks)

---

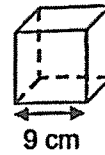
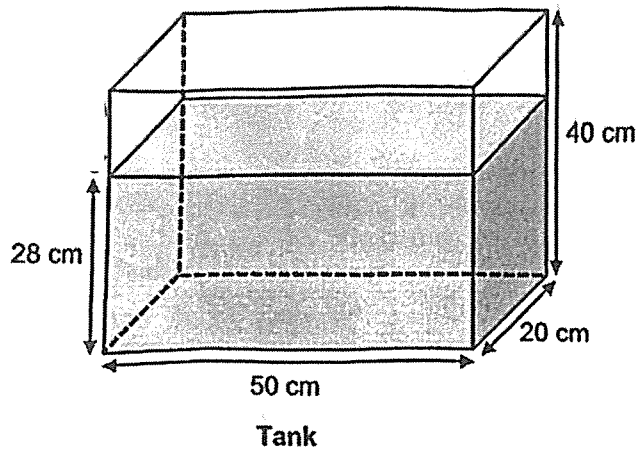
- 5 Aisha spent  $\frac{1}{3}$  of her money on a gift. She spent  $\frac{1}{6}$  of her remaining money on clothes and had \$340.25 left. How much money did she have at first?

Ans: \_\_\_\_\_ [3]

- 6 The usual price of a printer is \$489, excluding GST. Mr Tan bought the printer at a discount of 25%. He had to pay 8% GST on the discounted price. How much did he pay for the printer?

Ans: \_\_\_\_\_ [3]

- 7 A rectangular tank, measuring 50 cm by 20 cm by 40 cm, was filled with water to a height of 28 cm. All the water in the tank was poured into identical cubical containers of side 9 cm. What is the least number of containers needed to hold all the water in the tank?



Ans: \_\_\_\_\_ [3]

- 8 Lynn baked some vanilla and banana muffins for sale in the ratio of 7 : 10. She collected a total of \$1647 from the sale of 102 vanilla muffins and 40% of the banana muffins. Given that all the muffins were sold at \$4.50 each, how many vanilla muffins did she have left in the end?

Ans: \_\_\_\_\_ [4]

- 9 Joseph needs 5 minibuses and 4 big buses to transport 274 passengers to the stadium. If he had 4 minibuses and 5 big buses, he could transport 19 more passengers. How many passengers can a big bus transport to the stadium?

Ans: \_\_\_\_\_ [4]

End of Paper





SCHOOL : HENRY PARK PRIMARY SCHOOL  
LEVEL : PRIMARY 5  
SUBJECT : MATH  
TERM : WA2 (2023)

---

Q1)	$380 - 23 = 357$ $357 \div 12 = 29.75$
Q2)	$4U = 108$ $1U = 108 \div 4 = 27$ $2U = 27 \times 2 = 54$
Q3)	Length = $35 - 16 = 19$ Area of triangle AED = $\frac{1}{2} \times 24 \times 19 = 228 \text{ m}^2$
Q4)	False False Ture
Q5)	\$612.45
Q6)	$\frac{8}{100} \times 366.75 = 29.34$ $366.75 + 29.34 = \$396.09$
Q7)	39
Q8)	360
Q9)	41

