



HENRY PARK PRIMARY SCHOOL  
2023 WEIGHTED ASSESSMENT 1  
MATHEMATICS  
PRIMARY 5

Name: \_\_\_\_\_ ( )

Class: Primary 5 \_\_\_\_\_

Duration of Paper: 40 min

Marks:

Section A Multiple Choice Questions	12
Section 2 Long Answer Questions	18
<b>Total</b>	<b>30</b>

The use of calculator is not allowed.

Questions 1 to 6 carry 1 mark each. Questions 7 to 9 carry 2 marks each.  
For each question, four options are given. One of them is the correct answer.  
Make your choice (1, 2, 3 or 4) and shade your answer in the Optical Answer Sheet.

(12 marks)

---

- 1 What is the value of the digit 8 in the number 282 405?
- (1) 80
  - (2) 800
  - (3) 8000
  - (4) 80 000
- 2 Which of the following is not a factor of 36?
- (1) 6
  - (2) 9
  - (3) 16
  - (4) 18

3 Which of the following has the same value as  $4\frac{3}{8}$ ?

(1)  $\frac{28}{8}$

(2)  $\frac{35}{8}$

(3)  $\frac{43}{8}$

(4)  $\frac{56}{8}$

4 Which of the following fractions is the smallest?

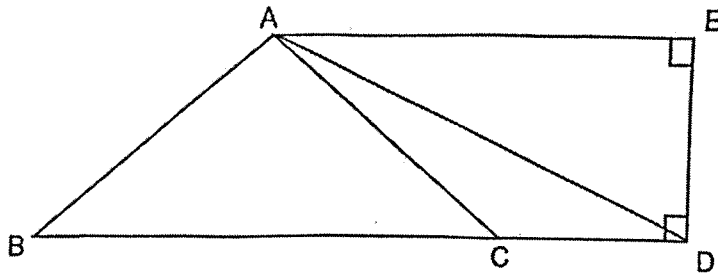
(1)  $\frac{5}{11}$

(2)  $\frac{5}{9}$

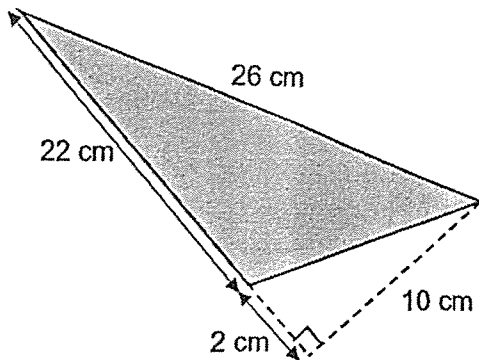
(3)  $\frac{5}{8}$

(4)  $\frac{5}{6}$

- 5 The figure below is made up of 3 triangles, ABC, ACD and ADE. BCD is a straight line. Given that the base of triangle ACD is CD, name the height of triangle ACD.



- (1) AB
  - (2) AC
  - (3) EA
  - (4) ED
- 6 Find the area of the shaded triangle.



- (1)  $110 \text{ cm}^2$
- (2)  $120 \text{ cm}^2$
- (3)  $130 \text{ cm}^2$
- (4)  $220 \text{ cm}^2$

7 In a class of 42 students, 18 are girls. Express the ratio of the number of girls to the number of boys in the class.

(1) 9 : 21

(2) 3 : 4

(3) 4 : 7

(4) 4 : 3

8 Janet spent  $\frac{2}{5}$  of her money on a cake and  $\frac{1}{3}$  of the remainder on a cookie. What fraction of her money had she left?

(1)  $\frac{1}{5}$

(2)  $\frac{2}{5}$

(3)  $\frac{2}{15}$

(4)  $\frac{4}{15}$

9 A repeated pattern is formed using the numbers 3 and 0. The first 15 numbers are shown below.

0	3	0	3	3	0	3	0	3	3	0	3	0	3	3
---	---	---	---	---	---	---	---	---	---	---	---	---	---	---

1<sup>st</sup> 2<sup>nd</sup> 3<sup>rd</sup>

15<sup>th</sup>

What is the sum of the first 103 numbers?

(1) 120

(2) 180

(3) 183

(4) 228

Questions 10 to 13 carry 1 mark each. Questions 14 to 20 carry 2 marks each. Show your working clearly and write your answers in the spaces provided. For questions which require units, give your answers in the units stated.

(18 marks)

10 Find the value of  $4 + (101 + 19) + 2$

Ans: \_\_\_\_\_

11 Find the value of  $\frac{7}{15} - \frac{1}{3}$ .

Ans: \_\_\_\_\_

12 What is the missing number in the following?

$$3 : 7 = 27 : \boxed{?}$$

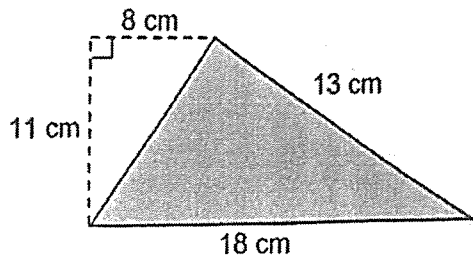
Ans: \_\_\_\_\_

13 Form the smallest even number using all the digits given below. Each digit can only be used once.

$\boxed{2, 7, 0, 8, 9, 4}$

Ans: \_\_\_\_\_

- 14 Find the area of the shaded triangle.

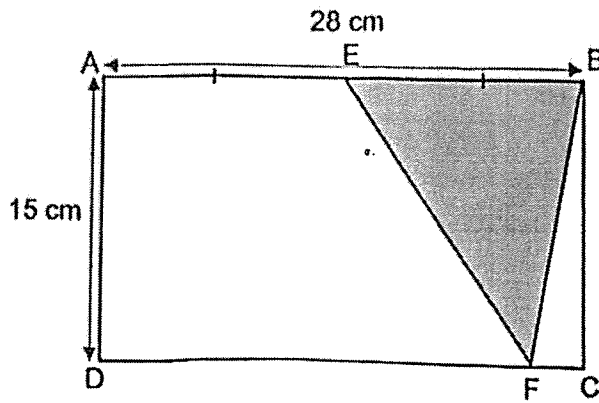


Ans: \_\_\_\_\_ cm<sup>2</sup>

- 15 Gwen spent  $\frac{5}{8}$  of her money and had \$48 left. How much money did she have at first?

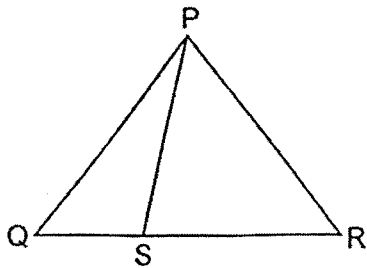
Ans: \$ \_\_\_\_\_

- 16 The diagram below shows rectangle ABCD with a shaded triangle EBF in it. Given that  $AE = EB$ , find the total area of the unshaded parts of rectangle ABCD.



Ans: \_\_\_\_\_  $\text{cm}^2$

- 17 The ratio of the area of triangle PQS to the area of triangle PSR is 2 : 5. The area of triangle PQR is  $84 \text{ cm}^2$ . What is the area of triangle PSR?



Ans: \_\_\_\_\_  $\text{cm}^2$



- 18 In a shop, oranges are sold at the price shown below.



5 oranges for \$7

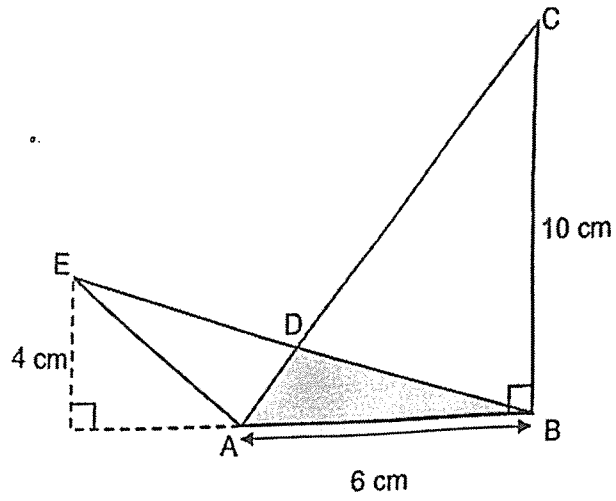
Susan bought 30 oranges with all her money. To buy 20 papayas with the same amount of money, she will be short of \$18. Given that the cost of each papaya is the same, how much does each papaya cost?

Ans: \$ \_\_\_\_\_

- 19 Chef Lim had some eggs at first. He used  $\frac{1}{10}$  of the total number of eggs and an additional 38 eggs on Monday. He continued using  $\frac{4}{7}$  of the remaining eggs on Tuesday. He used up the remaining 30 eggs on Wednesday. How many eggs did Chef Lim have at first?

Ans: \_\_\_\_\_

- 20 Figure ABCDE has an area of  $34 \text{ cm}^2$ , ADC and BDE are straight lines. Find the area of the shaded triangle ABD.



Ans: \_\_\_\_\_  $\text{cm}^2$

End of Paper

SCHOOL : HENRY PARK PRIMARY SCHOOL

LEVEL : PRIMARY 5

SUBJECT : MATH

TERM : WA1 (2023)

---

Q 1	Q2	Q3	Q4	Q5	Q 6	Q7	Q8	Q9
4	3	2	1	4	1	2	2	3

10)	64
11)	$\frac{2}{15}$
12)	63
13)	204796
14)	$\frac{1}{2} \times 18 \times 11 = 99 \text{ cm}^2$
15)	$\frac{3}{8} = 48$ $\frac{1}{8} = 48 \div 3 = 16$ $16 \times 5 = 80$ $80 + 48 = \$128$
16)	$28 \div 2 = 14$ $\frac{1}{2} \times 14 \times 15 = 105$ $28 \times 15 = 420$ $420 - 105 = 315 \text{ cm}^2$
17)	$84 \div 7 = 12$ $12 \times 5 = 60 \text{ cm}^2$

18)	$6 \times 7 = 42$ $42 + 18 = 60$ $60 \div 20 = \$3$
19)	$30 \div 3 = 10$ $10 \times 7 = 70$ $70 + 38 = 108$ $108 \div 9 = 12$ $12 \times 10 = 120$
20)	$34 - \frac{1}{2} \times 10 \times 6 = 4$ $\frac{1}{2} \times 6 \times 4 = 8 \text{ cm}^2$

