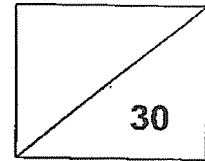


Maha Bodhi School  
2023 Weighted Assessment 2  
Mathematics Review 2  
Primary 4



Name: \_\_\_\_\_ (            )

Class: Primary 4 \_\_\_\_\_

Duration: 40 minutes

Date: 21 August 2023

Parent's Signature: \_\_\_\_\_

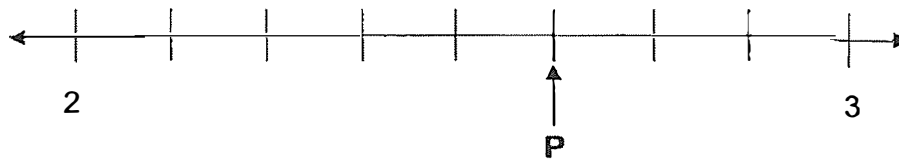
**Section A (10 marks)**

Questions 1 to 5 carry 2 marks each.

For each question, four options are given. One of them is the correct answer.

Make your choice (1, 2, 3 or 4) and write your choice in the bracket (            ) provided.

1. In the number line, what is the fraction represented by P?



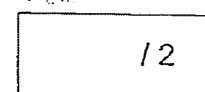
(1)  $\frac{5}{7}$

(2)  $\frac{5}{8}$

(3)  $2\frac{5}{7}$

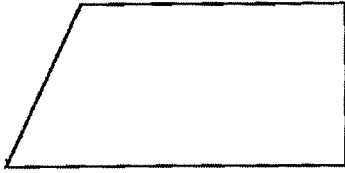
(4)  $2\frac{5}{8}$

(            )

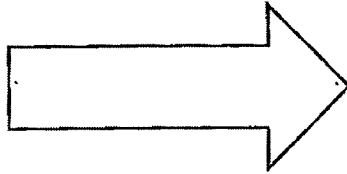


2. Which figure has only 1 line of symmetry?

(1)



(2)



(3)



(4)



( )

3. Which of the following is not an equivalent fraction of  $\frac{2}{3}$ ?

(1)  $\frac{4}{9}$

(2)  $\frac{8}{12}$

(3)  $\frac{10}{15}$

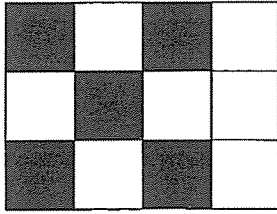
(4)  $\frac{14}{21}$

( )

14

4. The figure is made up of identical squares.

How many more squares need to be shaded so that  $\frac{3}{4}$  of the figure is shaded?



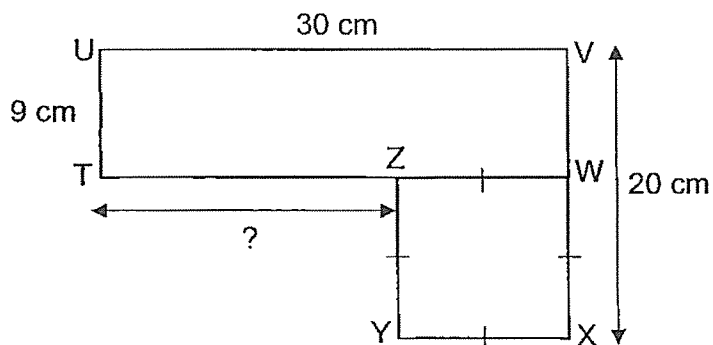
- (1) 5  
 (2) 7  
 (3) 3  
 (4) 4

( )

5. The figure is made of square WXYZ and rectangle TUVW.

UV = 30 cm, UT = 9 cm and VX = 20 cm.

Find the length of TZ.



- (1) 9 cm  
 (2) 11 cm  
 (3) 19 cm  
 (4) 21 cm

( )

**Section B (10 marks)**

Questions 6 to 10 carry 2 marks each.

Show your working clearly and write your answers in the spaces provided.

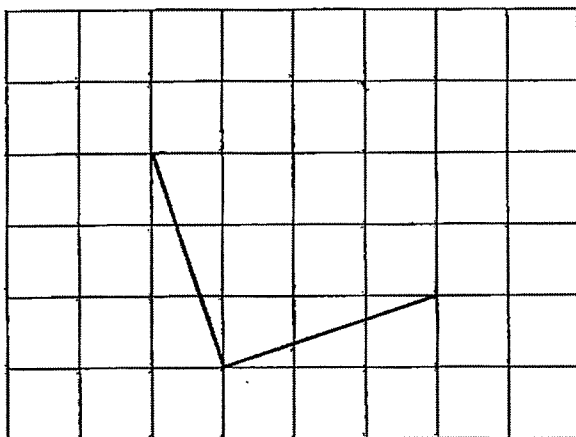
For questions which require units, give your answers in the units stated.

6. Arrange the following fractions in increasing order.

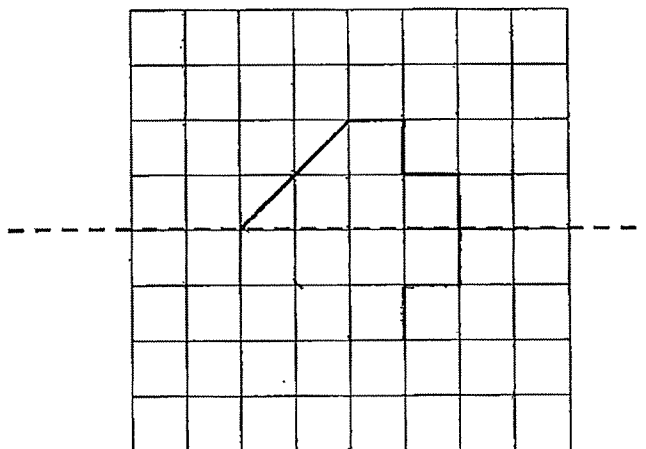
$$\frac{3}{4}, \frac{1}{2}, \frac{5}{8}$$

Ans: \_\_\_\_\_, \_\_\_\_\_, \_\_\_\_\_

7. Draw a square from the given lines.



8. Complete the drawing below. The dotted line is a line of symmetry.



16

9. Find the value of  $1 - \frac{7}{12} - \frac{1}{6}$ .

Express your answer in the simplest form.

Ans: \_\_\_\_\_

10. Mrs Tan had 30 kg of flour. She used 10 kg of flour to make a cake.

From the amount of flour left, she gave  $\frac{1}{5}$  of it to her sister.

How much flour did she give to her sister?

Ans: \_\_\_\_\_ kg

/ 4
-----

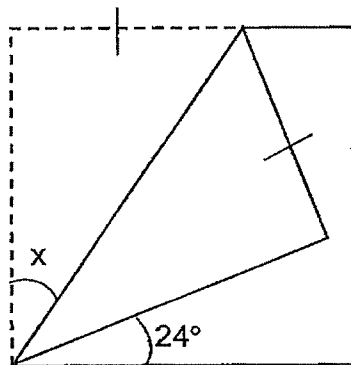
**Section C (10 marks)**

Questions 11 and 12 carry 3 marks each.

Question 13 carries 4 marks.

Show your working clearly and write your answers in the spaces provided. The number of marks available is shown in brackets [ ] at the end of each question or part-question.

11. A square piece of paper is folded as shown.  
Find  $\angle x$ .



Ans: \_\_\_\_\_ [3]

1/3

12. Mary bought a bag of apples.

She gave  $\frac{4}{9}$  of the apples to her uncle and  $\frac{1}{3}$  of them to her neighbour.

In the end, she had 6 apples left. How many apples did Mary have at first?

Ans: \_\_\_\_\_ [3]

/ 3
-----

13. Helen prepared 18ℓ of orange juice and mango juice in the morning.  
 $\frac{5}{6}$  of it was orange juice and the rest was mango juice.  
Her children drank  $\frac{7}{8}$  ℓ of mango juice in the afternoon.

(a) How much mango juice did Helen prepare?

(b) How much mango juice was left?

Ans: (a) \_\_\_\_\_ [2]

(b) \_\_\_\_\_ [2]



*Remember to check your work!*

*~ End of Paper ~*

14



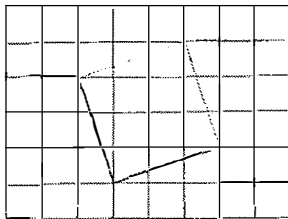
SCHOOL : MAHA BODHI SCHOOL  
LEVEL : PRIMARY 4  
SUBJECT : MATH  
TERM : WA2 (2023)

---

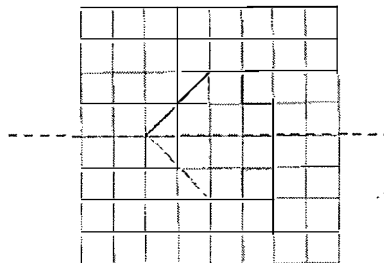
Q 1	Q2	Q3	Q4	Q5
4	2	1	4	3

Q6)  $\frac{1}{2}$ ,  $\frac{5}{8}$ ,  $\frac{3}{4}$

Q7)



Q8)



Q9)  $\frac{1}{4}$

Q10)  $30\text{kg} - 10\text{kg} = 20\text{kg}$

$20\text{kg} \div 5 = 4\text{kg}$

Q11)  $90 - 24 = 66^\circ$

$66 \div 2 = 33^\circ$

$\angle X$  is  $33^\circ$

Q12) 2 units = 6  
1 unit =  $6 \div 2 = 3$   
9 units =  $3 \times 9 = 27$   
Mary had 27 apples at first

Q13) a) 6 units = 18  
1 unit =  $18 \div 6 = 3\text{L}$   
Helen prepared 3L of mango juice.

b)  $3\text{L} - 7/8\text{L} = 2\frac{1}{8}$

$2\frac{1}{8}$  L of mango juice was left.