



2023 PRIMARY 4 END-OF-YEAR EXAMINATION

Name: _____ ()

Date: 24 October 2023

Class: Primary 4 ()

Time: 8.00 a.m. - 9.00 a.m.

Parent's Signature: _____

Marks: _____ / **100**

MATHEMATICS

PAPER 1

(Booklet A and Booklet B)

INSTRUCTIONS TO CANDIDATES

1. Write your name, class and register number.
2. Do not turn over this page until you are told to do so.
3. Follow all instructions carefully.
4. Answer all questions.
5. The duration for Paper 1 is 1 hour.

Booklet A	20
Booklet B	40
Paper 2	40



Multiple Choice Questions

Questions 1 to 10 carry 2 marks each.

For each question, four options are given. One of them is the correct answer.

Make your choice (1, 2, 3 or 4).

Shade the correct oval (1, 2, 3 or 4) on the Optical Answer Sheet. [20 marks]

1. $30\ 000 + 4000 + 200 + 8 =$ _____

- (1) 34 280
- (2) 34 208
- (3) 34 028
- (4) 30 428

2. Which of the following is a multiple of 6?

- (1) 30
- (2) 2
- (3) 28
- (4) 16

3. $\frac{1}{3} + \frac{1}{9} =$ _____

- (1) $\frac{1}{27}$
- (2) $\frac{2}{3}$
- (3) $\frac{2}{12}$
- (4) $\frac{4}{9}$

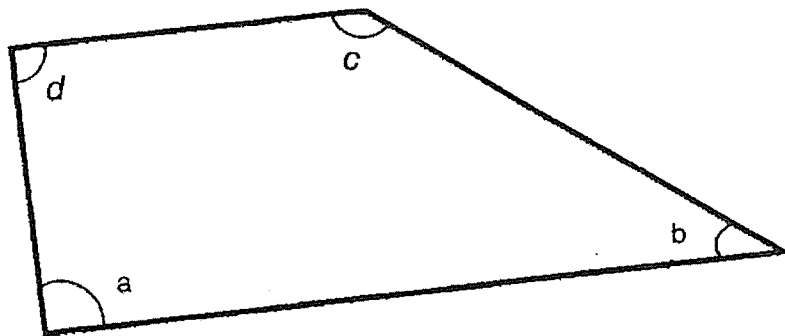
4. The digit 8 in 9.283 stands for 8 _____.

- (1) ones
- (2) tens
- (3) tenths
- (4) hundredths

5. Which of the following decimals is the smallest?

- (1) 3.07
- (2) 3.15
- (3) 3.038
- (4) 3.304

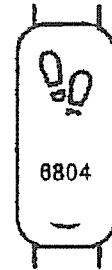
6. In the figure, which angle is greater than a right angle?



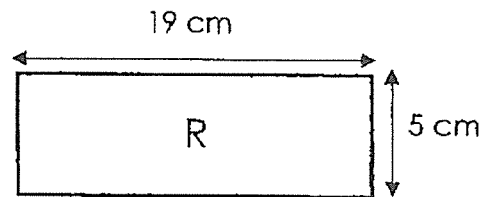
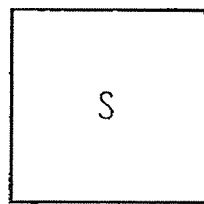
- (1) $\angle a$
- (2) $\angle b$
- (3) $\angle c$
- (4) $\angle d$

7. Laura clocked 6804 steps on Friday. She clocked 2 times as many steps on Saturday as on Friday. How many steps did she clock on both days?

- (1) 6806
- (2) 10 206
- (3) 13 608
- (4) 20 412



8. Square S and rectangle R have the same perimeter. Find the length of each side of square S.



- (1) 8 cm
 - (2) 12 cm
 - (3) 24 cm
 - (4) 48 cm
9. The total mass of a papaya and a durian is 8.2 kg.
The total mass of the papaya and a watermelon is 11.4 kg.
The watermelon weighs 3 times as heavy as the papaya.
What is the mass of the durian?

- (1) 2.85 kg
- (2) 4.4 kg
- (3) 5.35 kg
- (4) 6.6 kg

10. At an animal shelter, there were dogs, cats and rabbits.
 $\frac{1}{3}$ of the animals were dogs. There were 38 more cats than dogs.
The remaining 56 animals were rabbits.
How many animals were there altogether?

- (1) 282
- (2) 206
- (3) 141
- (4) 130

Paper 1 Booklet B

Short Answer Questions

Questions 11 to 30 carry 2 marks each. Write your answers in the boxes provided.
For questions which require units, give your answers in the units stated.

[40 marks]

11. Round 2818 to the nearest ten.

12. Write the missing number in the number pattern below.

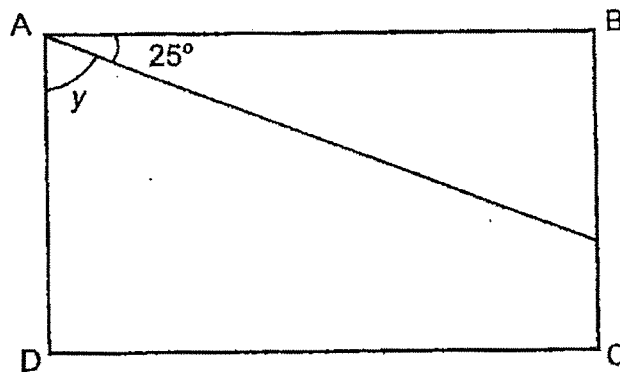
17 000 , 16 100 , 15 200 , 14 300 , _____ , 12 500

13. Find the value of $1 - \frac{1}{4} - \frac{1}{8}$.

14. $21.96 + 0.18 =$ _____

15. Find the value of 8.27×9 .

16. In the figure, ABCD is a rectangle. Find the value of $\angle y$.



17. Write $\frac{29}{4}$ as a mixed number.

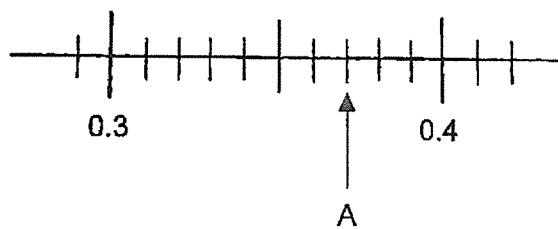
18. Arrange the following fractions from the smallest to the greatest.

$$\frac{7}{11}, \frac{1}{2}, \frac{10}{11}$$

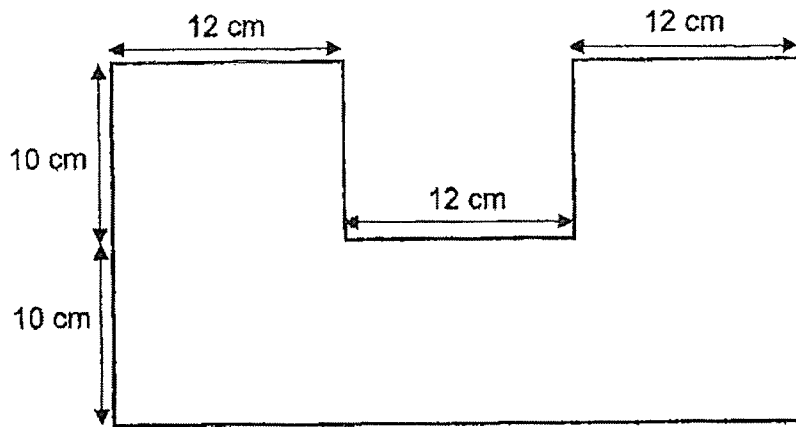
(smallest)

(greatest)

19. Write the decimal represented by A.

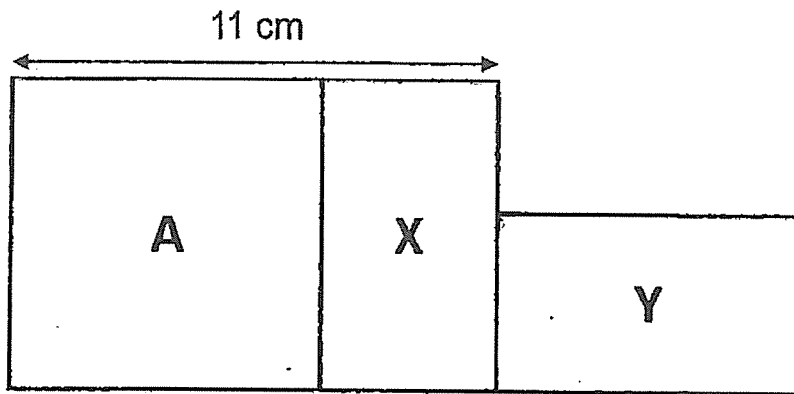


20. What is the area of the figure below?



cm²

21. The figure shown is made up of square A and 2 identical rectangles, X and Y. The area of the square is 49 cm^2 . Find the perimeter of the figure.



cm

22. Find the sum of all the common factors of 30 and 54.

23. Mr Tan used 21 l 75 ml of petrol in the first week.
He used 3l 25 ml more petrol in the second week. He used the same amount of petrol in the second and third week.
How much petrol did he use in the 3 weeks?
Express your answer in litres and millilitres.

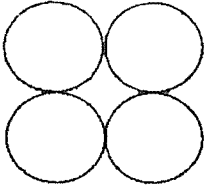
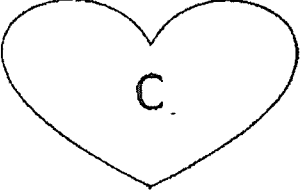
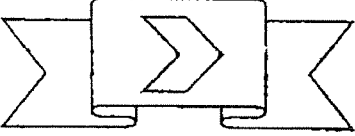
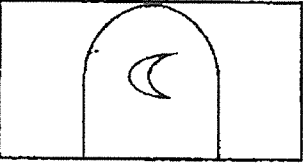
_____ ml

24. After making a $\frac{1}{4}$ turn in an anti-clockwise direction, Sarah makes a 270° clockwise turn and is now facing north.
Which direction was she facing at first?

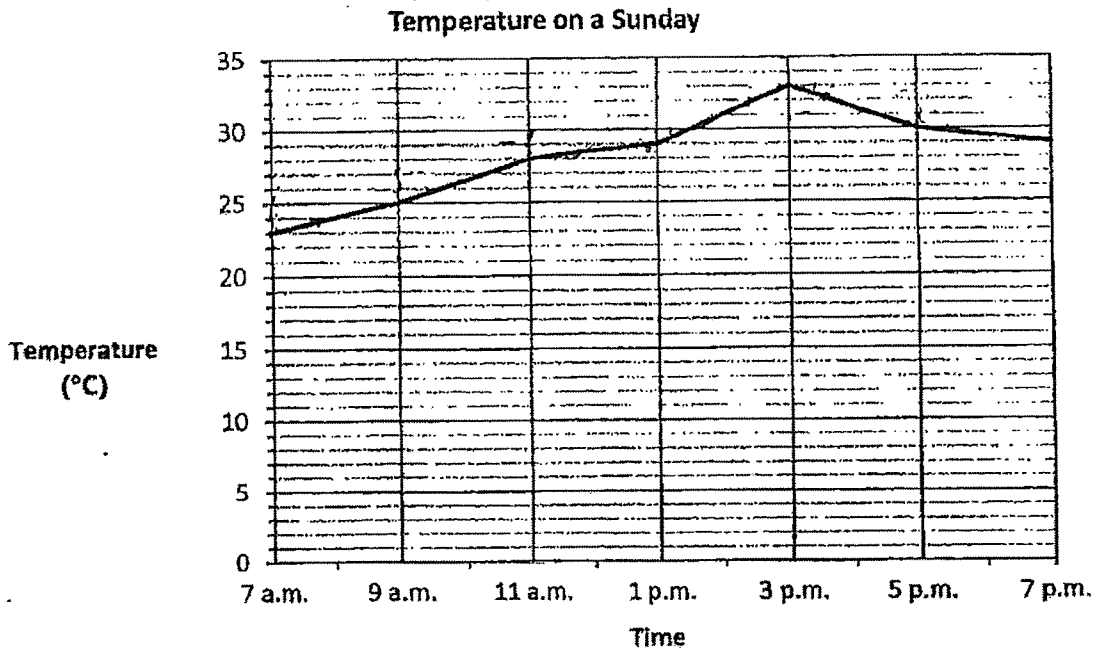
--

25. Study the figures below.

In each box , put a tick (✓) if the figure is symmetric and a cross (X) if it is not symmetric.

(i)		<input type="checkbox"/>
(ii)		<input type="checkbox"/>
(iii)		<input type="checkbox"/>
(iv)		<input type="checkbox"/>

The line graph shows the temperature from 7 a.m. to 7 p.m. on a Sunday. Study the graph and answer Questions 26 and 27.



26. Complete the table to show the information in the line graph.

Time	7 a.m.	9 a.m.	11 a.m.	1 p.m.	3 p.m.	5 p.m.	7 p.m.
Temperature (°C)	23	_____	_____	_____	33	_____	29

27. What was the difference in temperature between the lowest and highest temperature on that day?

_____ °C

28. Harry planted 10 seedlings in a row.
The seedlings were planted at the same distance apart.
The distance between the second and the fifth seedling was 125.4 m.
What was the distance between the first and the tenth seedling?

29. 3 files and 3 pens cost \$32.10. I paid \$40 for 4 such files and 3 such pens.
Find the cost of 3 pens.

30. I am a 4-digit even number.
The sum of the digits is 14.
I am 2250 when rounded to the nearest 10.
What number am I?

End of Paper 1



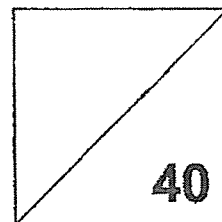
2023 PRIMARY 4 END-OF-YEAR EXAMINATION

Name: _____ () Date: 24 October 2023

Class: Primary 4 () Time: 11.00 a.m. - 12.00 p.m.

Parent's Signature: _____

MATHEMATICS PAPER 2



INSTRUCTIONS TO CANDIDATES

1. Write your name, class and register number.
2. Do not turn over this page until you are told to do so.
3. Follow all instructions carefully.
4. Answer all questions.
5. Show your working clearly as marks are awarded for correct working.
6. The duration for Paper 2 is 1 hour.

Questions 1 to 10 carry 4 marks each. Show your working clearly in the space provided for each question and write your answers in the spaces provided. For questions which require units, give your answers in the units stated. [40 marks]

1. A tailor had 500 buttons.
He sewed 7 buttons on each shirt and had 248 buttons left.
(a) How many buttons did he use?

He used _____

Ans: (a) _____

- (b) How many shirts did he sew the buttons on?

He sewed _____

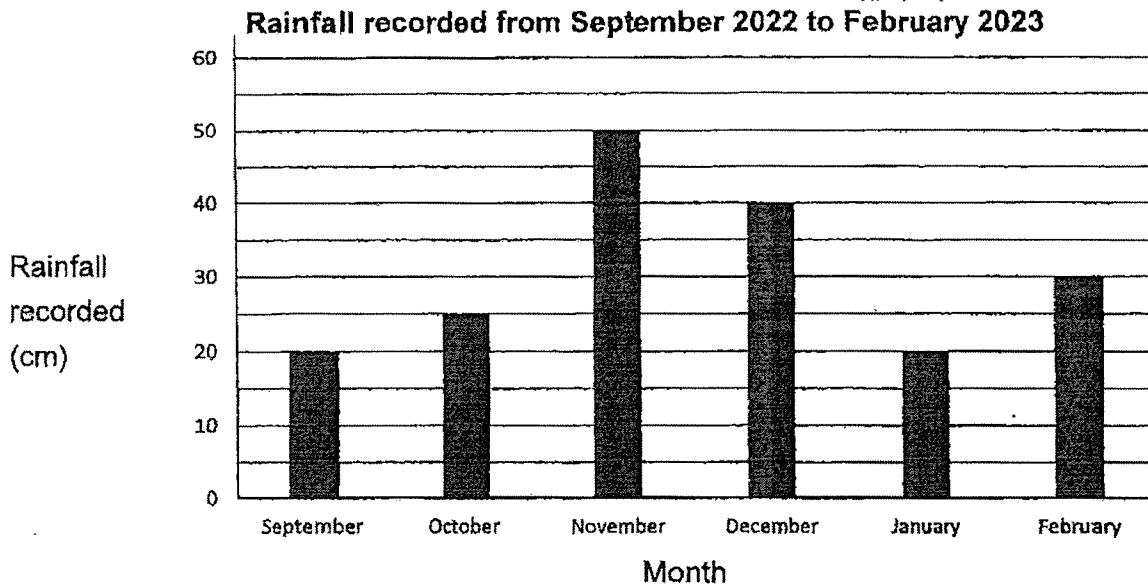
Ans: (b) _____

2. Tom had 4730 marbles and Muthu had 1240 marbles at first.
Tom gave some marbles to Muthu so that Muthu would have twice as many marbles as Tom in the end.
How many marbles did Tom give Muthu?

Tom gave _____

Ans: _____

3. The bar graph shows the amount of rainfall recorded at the end of each month from September 2022 to February 2023.



Each of the statements below is either true, false or not possible to tell based on the information given in the graph. For each statement, put a tick (✓) to indicate your answer.

Statement	True	False	Not possible to tell
(a) December was the wettest month.			
(b) The amount of rainfall recorded in September and January was the same.			
(c) The difference in the amount of rainfall recorded was the smallest between November and December.			
(d) The amount of rainfall recorded for March 2023 will be higher than February 2023.			

4. The mass of a wooden vase is 3.3 kg.
The mass of a glass vase is 4.05 kg.
What is the total mass of 3 identical wooden vases and 3 identical glass vases?
Give your answer to the nearest kilogram.

The total mass is _____

Ans: _____

5. The table below shows the departure times from Singapore to Penang and Kuala Lumpur as well as their arrival times.

Flight number	Destination	Departure time from Singapore	Arrival time at destination
SP 100	Penang	10.40 p.m.	12.05 a.m.
SP 246	Kuala Lumpur	8.15 p.m.	9.20 p.m.

- (a) How long is the flight from Singapore to Penang?
Give your answer in h and min.

The flight is _____

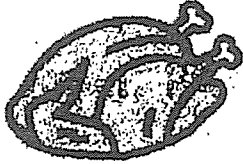
Ans: (a) _____

- (b) Mr Bala took SP 246 to Kuala Lumpur. His flight was delayed for 45 minutes. At what time did Mr Bala finally arrive in Kuala Lumpur?
Leave your answer in 24-hour clock.

Mr Bala arrived at _____

Ans: (b) _____

6. A newly opened chicken stall had a promotion.
For every chicken bought, the second chicken was sold at half price.
Mrs Dee bought 4 chickens.



\$4.70 each

Buy a second chicken at HALF price!

- (a) How much did she pay ?

She paid _____

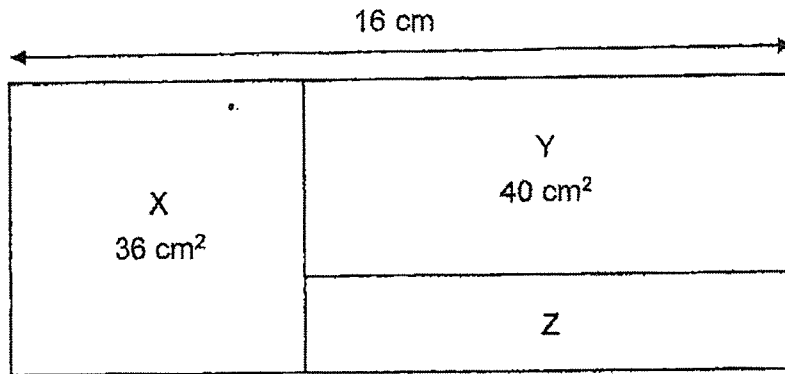
Ans: (a) _____

- (b) At the end of the day, the stall collected \$440.
There were two \$100 notes, three \$50 notes and some \$10 notes.
How many \$10 notes were there?

There were _____

Ans: (b) _____

7. The figure below is made up of square X and 2 rectangles, Y and Z.
Find the area of Z.



The area is _____

Ans: _____

8. There are some people attending a carnival.

$\frac{3}{5}$ of them are children, $\frac{1}{6}$ of them are men and the rest are women.

There are 42 more women than men at the carnival.

How many people are at the carnival?

There are _____

Ans: _____

9. A group of 3 adults and 5 children bought tickets to watch a concert. Each adult ticket cost \$7 more than each child ticket. The group paid a total of \$125. What was the cost of each adult ticket?

The cost of each adult ticket was _____

Ans: _____

10. A curry puff cost \$3 and a hotdog cost \$4.
Miss Gaya spent a total of \$238 on 70 curry puffs and hotdogs.
How many hotdogs did she buy?



\$3



\$4

She bought _____

Ans: _____

End of Paper 2



SCHOOL : TAONAN PRIMARY SCHOOL
 LEVEL : PRIMARY 4
 SUBJECT : MATHEMATICS
 TERM : 2023 SA2

BOOKLET A

Q1	2	Q2	1	Q3	4	Q4	4	Q5	3
Q6	3	Q7	4	Q8	2	Q9	3	Q10	1

BOOKLET B

Q11	2820
Q12	13 400
Q13	$\frac{1}{4} - \frac{2}{8} + \frac{1}{8} = \frac{3}{8}$ $1 - \frac{3}{8} = \frac{5}{8}$
Q14	22.14
Q15	74.43
Q16	$90^\circ - 25^\circ = 65^\circ$
Q17	$29 \div 4 = 7 \text{ R}1$ ANS : $7\frac{1}{4}$
Q18	$\frac{1}{2}, \frac{7}{11}, \frac{10}{11}$
Q19	0.37
Q20	Area of A $\rightarrow 20 \times 12 = 240$ Area of B $\rightarrow 12 \times 10 = 120$ Area of C $\rightarrow 20 \times 12 = 240$ Total area $\rightarrow 240 + 120 + 240 = 600$ (Ans : 600 cm^2)
Q21	$11 - 4 = 7$ $7 - 4 = 3$ Perimeter = $11 + 3 + 7 + 4 + 7 + 11 + 7 = 50$ (Ans : 50 cm)
Q22	30 : 1, 2, 3, 5, 10, 15, 30 54 : 1, 2, 3, 6, 9, 18, 27, 54

	$1+2+3=6$ $6+6=12$ (Ans)																
Q23	2nd Week $\rightarrow 3\text{L } 25\text{ ml} + 21\text{L } 75\text{ ml} = 24\text{ L } 100\text{ ml}$ 3rd Week $\rightarrow 24\text{L } 100\text{ ml}$ Totl $\rightarrow 24\text{L } 100\text{ ml} + 24\text{L } 100\text{ ml} + 21\text{L } 75\text{ ml} = 69\text{L } 275\text{ ml}$ (Ans)																
Q24	South																
Q25																	
Q26	<table border="1"> <thead> <tr> <th>Time</th> <th>7 a.m.</th> <th>9 a.m.</th> <th>11 a.m.</th> <th>1 p.m.</th> <th>3 p.m.</th> <th>5 p.m.</th> <th>7 p.m.</th> </tr> </thead> <tbody> <tr> <td>Temperature ($^{\circ}\text{C}$)</td> <td>23</td> <td><u>25</u></td> <td><u>28</u></td> <td><u>29</u></td> <td>33</td> <td><u>30</u></td> <td>29</td> </tr> </tbody> </table>	Time	7 a.m.	9 a.m.	11 a.m.	1 p.m.	3 p.m.	5 p.m.	7 p.m.	Temperature ($^{\circ}\text{C}$)	23	<u>25</u>	<u>28</u>	<u>29</u>	33	<u>30</u>	29
Time	7 a.m.	9 a.m.	11 a.m.	1 p.m.	3 p.m.	5 p.m.	7 p.m.										
Temperature ($^{\circ}\text{C}$)	23	<u>25</u>	<u>28</u>	<u>29</u>	33	<u>30</u>	29										
Q27	Highest = 33 Lowest = 23 Difference = $33 - 23 = 10$ (Ans : 10°C)																
Q28	1 gap $\rightarrow 125.4 \div 3 = 41.8$ 9 gaps $\rightarrow 41.8 \times 9 = 376.2$ (Ans : 376.2 m)																
Q29	1 file $\rightarrow \$7.90 \times 3 = \23.70 3 Pens $\rightarrow \$32.10 - \$23.70 = \$8.40$ (Ans)																
Q30	2246																

Paper 2

Q1	(a) $500 - 248 = 252$ (b) $252 \div 7 = 36$
Q2	$4730 + 1240 = 5970$ $5970 \div 3 = 1990$ $1990 \times 2 = 3980$ $3980 - 1240 = 2740$ (Ans)
Q3	(a) False (b) True (c) False (d) Not possible to tell
Q4	$3.3 \times 3 = 9.9$ $4.05 \times 3 = 12.15$ Total $\rightarrow 9.9 + 12.15 = 22.05$ (Ans : 22 kg)
Q5	(a) Total $\rightarrow 20 \text{ min} + 1 \text{ h } 5 \text{ min} = 1 \text{ h } 25 \text{ min}$ (b) $8:15 \text{ pm} + 45 \text{ min} \rightarrow 9.20 \text{ pm}$ $9.20 \text{ pm} + 45 \text{ min} \rightarrow 10.05 \text{ pm}$ Ans : 22 05
Q6	(a) $\$4.70 \div 2 = \2.35 $\$4.70 \times 2 + \$2.35 \times 2 = \$14.10$ (Ans) (b) $\$200 + \$150 = \$350$ $\$440 - \$350 = \$90$ $\$90 \div \$10 = 9$ (Ans)
Q7	$6 \times 6 = 36$ $16 - 6 = 10$ $40 \div 10 = 4$ $6 - 4 = 2$ $10 \times 2 = 20 \text{ cm}^2$ (Ans)
Q8	$\frac{1}{6} + \frac{3}{5} = \frac{5}{30} + \frac{18}{30} = \frac{23}{30}$ Women $\rightarrow 1 - \frac{23}{30} = \frac{7}{30}$ 42 Men $\rightarrow \frac{7}{30} - \frac{5}{30} = \frac{2}{30} = \frac{1}{15}$ Total people $\rightarrow 15 \times 42 = 630$ (Ans)

Q9	<p>3 Adults + 5 children → \$125 8 children → $\\$125 - (\\$7 \times 3) = \\$104$ 1 Child → $\\$104 \div 8 = \\13 1 Adult → $\\$13 + \\$7 = \\$20$ (Ans)</p>
Q10	<p>Assume all are curry puffs → $\\$3 \times 70 = \\210 $\\$238 - \\$210 = \\$28$ $4 - 3 = 1$ $28 \div 1 = 28$ $7 \times 4 = 28$ $238 - 28 = 210$ $\\$210 \div \\$3 = 70$ (Ans: 70 Hot Dogs)</p>