



**PRIMARY 4**  
**2021 END-OF-YEAR MATHEMATICS REVIEW 1**

Name: \_\_\_\_\_ ( )

Class: Primary 4 ( )

Date: \_\_\_\_\_

Time: 50 min

Marks: \_\_\_\_\_ / **60**

Parent's Signature: \_\_\_\_\_

**Section A : Questions 1 to 10 carry 2 marks each.**

For each question, four options are given. One of them is the correct answer.

Shade the correct oval (1, 2, 3 or 4) on the Optical Answer Sheet.

---

1. 55 thousands and 9 tens is the same as \_\_\_\_\_.
  - (1) 559
  - (2) 5590
  - (3) 55 009
  - (4) 55 090
  
2. 31 756 rounded to the nearest hundred is \_\_\_\_\_.
  - (1) 31 700
  - (2) 31 760
  - (3) 31 800
  - (4) 32 000
  
3. How many one-sevenths are there in 3 wholes?
  - (1) 17
  - (2) 21
  - (3)  $2\frac{1}{3}$
  - (4)  $\frac{3}{7}$
  
4. The digit 8 in 2.834 stands for 8 \_\_\_\_\_.
  - (1) ones
  - (2) tenths
  - (3) hundredths
  - (4) thousandths

5. Which of the following fractions is **not** in its simplest form?

(1)  $\frac{2}{3}$

(2)  $\frac{4}{5}$

(3)  $\frac{7}{10}$

(4)  $\frac{3}{12}$

6. Which of the following figures has perpendicular lines?



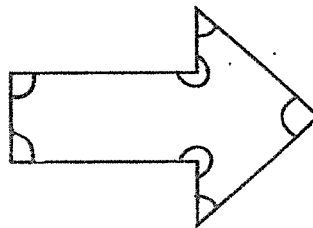
7. In the figure, how many of the marked angles are right angles?

(1) 5

(2) 2

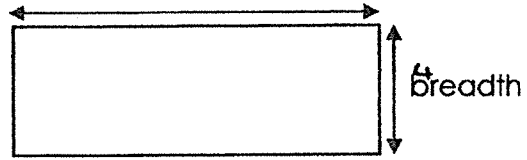
(3) 3

(4) 4



8. The figure has a perimeter of 48 cm. The length is thrice its breadth.  
What is the length ?

- (1) 18
- (2) 16
- (3) 12
- (4) 8



9. Kelvin has a total of 14 twenty-cent stamps and fifty-cent stamps. The total value of the stamps is \$4. How many twenty-cent stamps does Kelvin have?

- (1) 10
- (2) 8
- (3) 6
- (4) 4

10. The mass of a watermelon is 3.8kg. The mass of a durian is 1.5 kg lighter than the watermelon. What is their total mass?

- (1) 2.3 kg
- (2) 5.3 kg
- (3) 6.1 kg
- (4) 9.1 kg

## Section B

Questions 11 to 30 carry 2 marks each.

Write your answers in the boxes provided.

For questions which require units, give your answers in the units stated.

---

11. Write the missing number in the number pattern below.

6569 , 6819 , 7069 , \_\_\_\_\_ , 7569

12. Some factors of 20 are 1, 2, 10 and 20. What are the other two factors of 20?

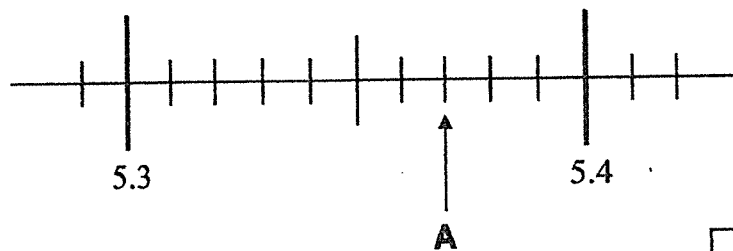
13. Which two of the fractions below are smaller than  $\frac{1}{2}$  ?

$\frac{2}{5}$  ,  $\frac{3}{4}$  ,  $\frac{4}{8}$  ,  $\frac{5}{12}$

14. What is the value of  $\frac{8}{9} + \frac{1}{3}$ ?

Express your answer as a mixed number.

15. Write the decimal represented by A.



16. Write 8 thousandths as a decimal.

17. Arrange the following numbers in order from the smallest to the greatest.

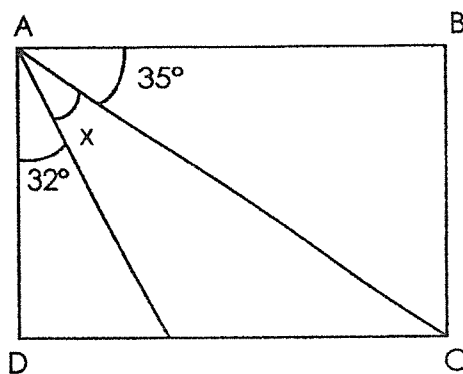
0.862 , 2.4 , 0.903 , 0.095

,  ,  ,

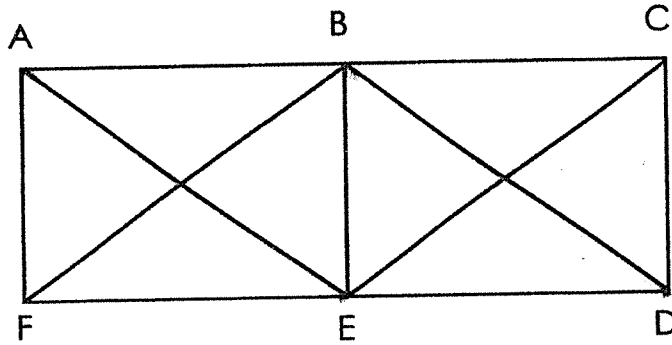
(Smallest)

18. Find the value of  $5.78 \times 6$ .

19. ABCD is a rectangle. Find  $\angle x$ .



20. In the figure, one of the lines is parallel to BD.  
Which line is parallel to BD?



21. Ye Ming is facing the West. He makes a  $90^\circ$  clockwise turn.  
Then he makes a  $\frac{3}{4}$  - turn in an anti-clockwise direction.  
Which direction does he end up facing?

22. I have a number. The number has 4 digits.  
 The digit 8 stands for 8 hundredths.  
 The digit 5 is in the tens place.  
 The digit 9 is in the ones place.  
 The digit 0 is in the tenths place.  
 What is the number?

23. Complete the table.

Activity	Starting Time	Finishing Time	Duration
Studying	8.50 a.m.	10.20 a.m.	
Playing Games		8.30 p.m.	1 h 45 min

24. The Chin family attended a birthday dinner that ended at 8.35 p.m.  
 However, the clock was 10 minutes slower.  
 The dinner lasted 1 h 30 min.  
 What was the actual time the dinner started?

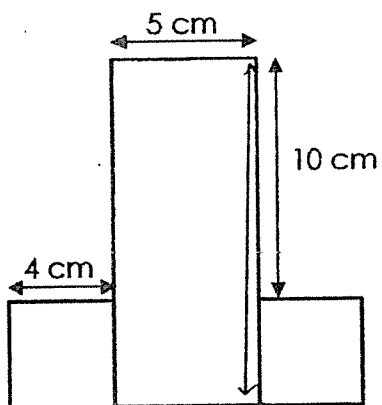
p.m.

25. Father took a flight from Singapore at 11.30 p.m. on Sunday. He arrived in Hong Kong 7 hours later. When did he arrive in Hong Kong?

Time: \_\_\_\_\_

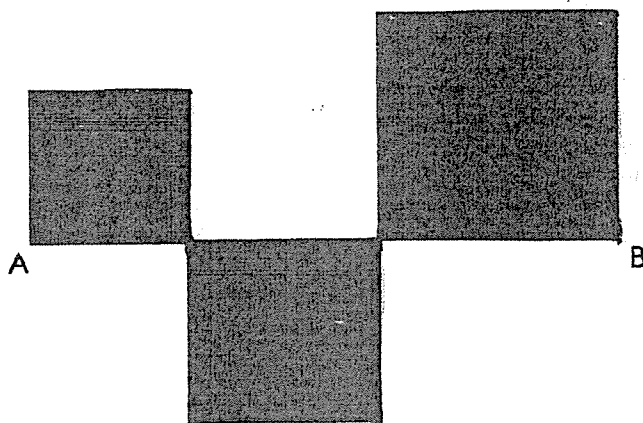
Day : \_\_\_\_\_

26. The figure shown is made up of 2 similar squares and a rectangle. Find the area of the figure.



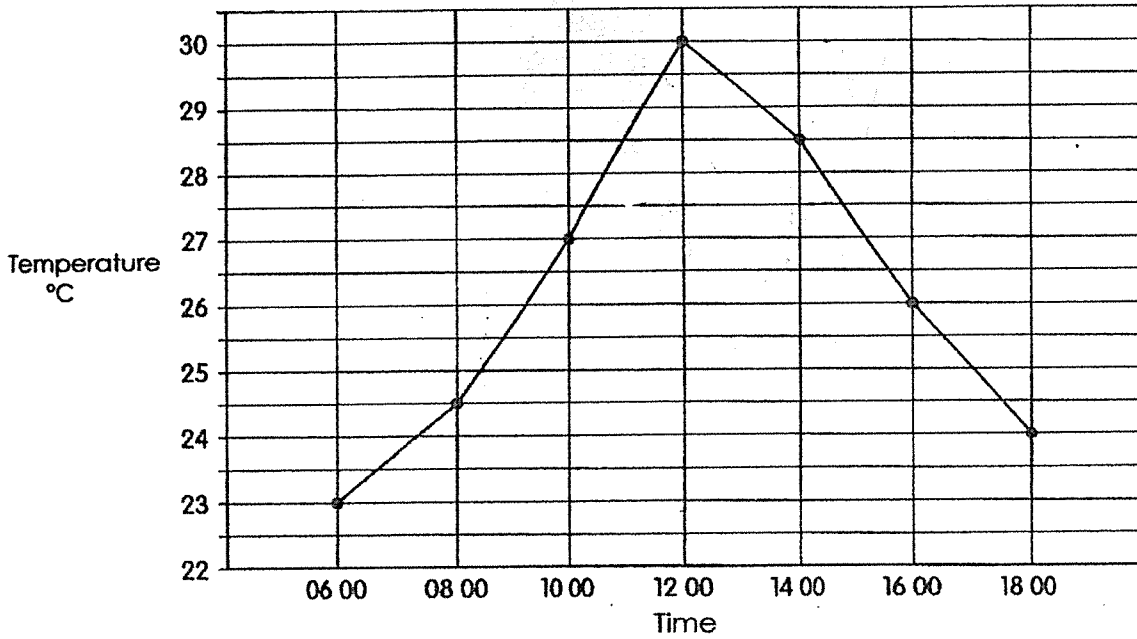
cm<sup>2</sup>

27. The figure is made up of 3 squares. The length of AB is 8 cm.  
Find the perimeter of the figure.



Use the bar graph below to answer **questions 28 to 29**.

The line graph below shows the temperature from 6.00 a.m. to 6.00 p.m. on a Sunday. Study it carefully and answer the following questions.

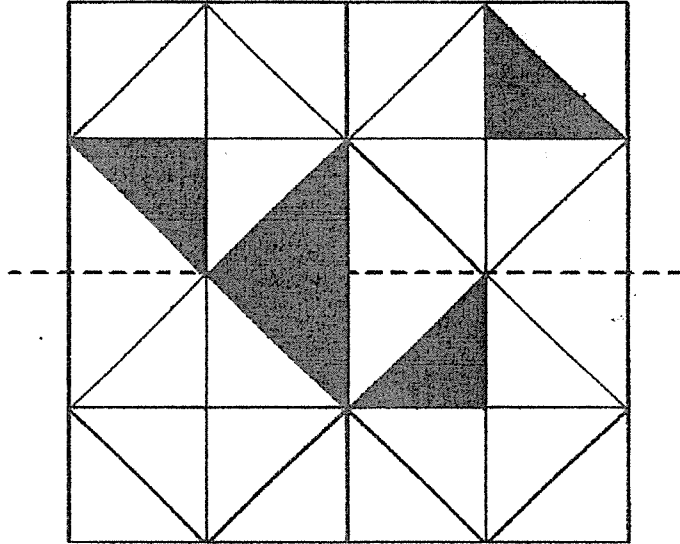


28. Find the difference between the highest and lowest temperature on that day.

 °C

29. In which two-hour period did the temperature increase the most?

30. Shade 3 more triangles so that the pattern formed is symmetric.



---

End





**PRIMARY 4**  
**2021 END-OF-YEAR MATHEMATICS REVIEW 2**

Name: \_\_\_\_\_ ( )

Class: Primary 4 ( )

Date: \_\_\_\_\_

Time: 50 min

Marks: \_\_\_\_\_ / **40**

Parent's Signature: \_\_\_\_\_

Questions 1 to 10 carry 4 marks each. Show your working clearly in the space provided for each question and write your answers in the spaces provided. For questions which require units, give your answers in the units stated. (40 marks)

---

1. A packet of mixed nuts contains  $\frac{1}{2}$  kg of almonds,  $\frac{1}{8}$  kg of walnuts and  $\frac{3}{4}$  kg of cashew nuts. What is the total mass of the packet of mixed nuts?  
(Leave your answer in the simplest form.)

Ans: \_\_\_\_\_

---

2. Devi and Mimi collected 75 stickers altogether. After Mimi bought 5 more stickers, Devi then had 3 times as many stickers as Mimi. How many stickers did Mimi have at first?

Ans: \_\_\_\_\_

---

3.  $\frac{3}{10}$  of a container is filled with sugar. Mother can put in another 350 g of sugar to fill up the space in the container. How much sugar can the container hold?

Ans: \_\_\_\_\_

---

4. Uncle Toby sold 88 curry puffs in the morning. This was  $\frac{2}{5}$  of the curry puffs he had. He sold the rest in the afternoon.
- a) How many curry puffs did he sell in the afternoon?  
b) How many curry puffs did he have at first?

Ans: a) \_\_\_\_\_

b) \_\_\_\_\_

---

5. Jane had 5 boxes of lollipops. She packed 10 lollipops into each plastic bag for sale at a funfair. After packing 180 such bags, she had 5 lollipops left. How many lollipops were in each box at first?

Ans: \_\_\_\_\_

---

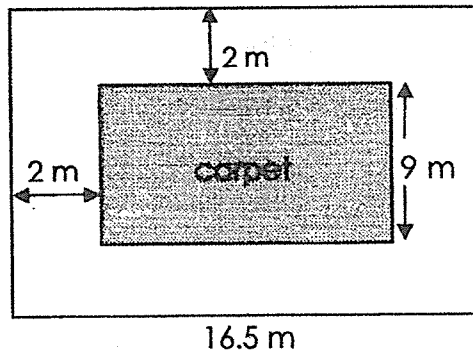
6. Grandpa Tan had \$3900. He gave \$1500 to Grandma and the rest of the money to a granddaughter and four grandsons. His granddaughter received twice as much as each of his grandsons. How much did his granddaughter receive?

Ans: \_\_\_\_\_

---

7. A carpet is placed in the centre of a living room.  
A border of 2 m is left around the carpet.

- a) What is the area of the carpet?  
b) What is the perimeter of the carpet?



Ans: a) \_\_\_\_\_

b) \_\_\_\_\_

8. Aunt Sarah baked some blueberry muffins and some chocolate muffins.  
 $\frac{4}{5}$  of the muffins are chocolate muffins. The difference between the number of blueberry muffins and chocolate muffins is 45.  
How many muffins did she bake?

Ans: \_\_\_\_\_

---

9. Azmi bought some postcards for his friends.

If he gives 6 postcards to each friend, he would have 4 postcards left.

If he gives 7 postcards to each friend, he would be short of 2 postcards.

(a) How many friends did Azmi have?

(b) How many postcards did Azmi buy?

Ans: a) \_\_\_\_\_

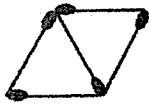
b) \_\_\_\_\_

---

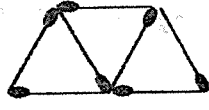
10. Study the pattern shown below.



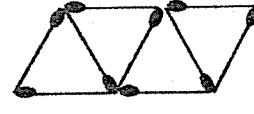
**Pattern 1**



**Pattern 2**



**Pattern 3**



**Pattern 4**

(a) Complete the table. (2 marks)

<b>Pattern</b>	<b>Number of Matchsticks</b>
<b>1</b>	<b>3</b>
<b>2</b>	<b>5</b>
<b>3</b>	<b>7</b>
<b>4</b>	<b>9</b>
<b>5</b>	
<b>20</b>	

(b) Which **Pattern** will have 99 matchsticks? (2 marks)

Ans: (b) **Pattern** \_\_\_\_\_

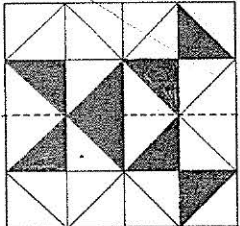
End

## ANSWER KEY

YEAR : 2021  
 LEVEL : Primary 4  
 SCHOOL : Tao Nan School  
 SUBJECT : MATHEMATICS  
 TERM : End-of-Year Review 1 & 2

### Review 1

Q1	4	Q2	3	Q3	2	Q4	2	Q5	4
Q6	4	Q7	2	Q8	1	Q9	1	Q10	3

Q11	$7069+250=7319$	Q12	5 and 4
Q13	$\frac{5}{12}$ and $\frac{2}{5}$	Q14	$\frac{8}{9} + \frac{1}{3} = \frac{3}{9} + \frac{8}{9}$ $= 1\frac{2}{9}$
Q15	5.37	Q16	0.008
Q17	0.095, 0.862, 0.903, 2.4	Q18	$5.78 \times 6 = 34.68$
Q19	$90-35=55$ $55-32=23$	Q20	AE
Q21	East	Q22	59.08
Q23	6.45 pm 1h 30min	Q24	7.15pm
Q25	Time : 6.30am Day : Monday	Q26	$4 \times 4 = 16$ $10 + 4 = 14$ $14 \times 5 = 70$ $70 + 16 + 16 = 102$
Q27	$8+8+8+8=32$	Q28	$30-23=7$
Q29	1000-1200	Q30	

## Review 2

Q1	$\frac{1}{2} = \frac{4}{8}$ $\frac{3}{4} = \frac{6}{8}$ $\frac{6}{8} + \frac{4}{8} = \frac{10}{8}$ $\frac{10}{8} + \frac{1}{8} = 1\frac{3}{8}kg$	Q2	$75+5=80$ $80 \div 4 = 20$ $20-5=15$
Q3	$10-3=7$ $350 \div 7 = 50$ $50 \times 10 = 500g$	Q4	(a) $88 \div 2 = 44$ $44 \times 3 = 132$ (b) $44 \times 5 = 220$
Q5	$1800+5=1805$ $1805 \div 5 = 361$	Q6	$3900-1500=2400$ $2400 \div 6 = 400$ $400 \times 2 = \$800$
Q7	(a) $2 \times 2 = 4$ $9+4=13$ $16.5-4=12.5$ $12.5 \times 9 = 112.5m^2(a)$ (b) $12.5 \times 2 = 25$ $9 \times 2 = 18$ $25+18=43m(b)$	Q8	$45 \div 3 = 15$ $15 \times 5 = 75$
Q9	(a) $7-6=1$ $4+2=6$ (b) $6 \times 6 = 36$ $36+4=40$	Q10	$99-3=96$ $96 \div 2 = 48$ $48+1=49$