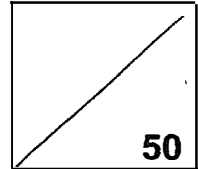




ROSYTH SCHOOL
PRIMARY 4 MATHEMATICS
PRACTICE PAPER 2021



Name : _____ ()

Class : Primary 4 -

Duration: 1 hour

Date : _____

Parent's Signature: _____

Section A (14 marks)

For questions 1 to 7, four options are given. One of them is the correct answer. Make your choice (1, 2, 3 or 4). Write your answers in the brackets provided. Each question carries 2 marks.

All diagrams in this paper are not drawn to scale unless stated otherwise.

1. Which of the following decimals is the smallest?

- (1) 4.06
- (2) 4.13
- (3) 4.027
- (4) 4.201

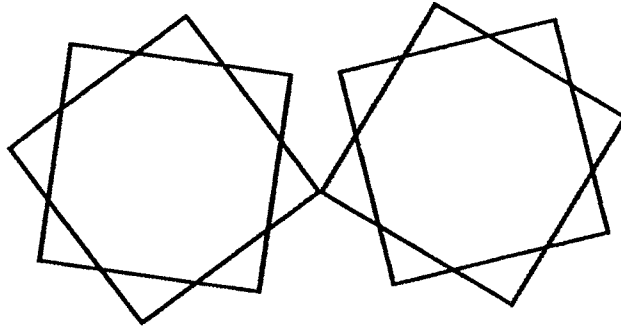
()

2. What is the number when 231.53 is rounded to 1 decimal place?

- (1) 231.0
- (2) 231.5
- (3) 231.6
- (4) 232.0

()

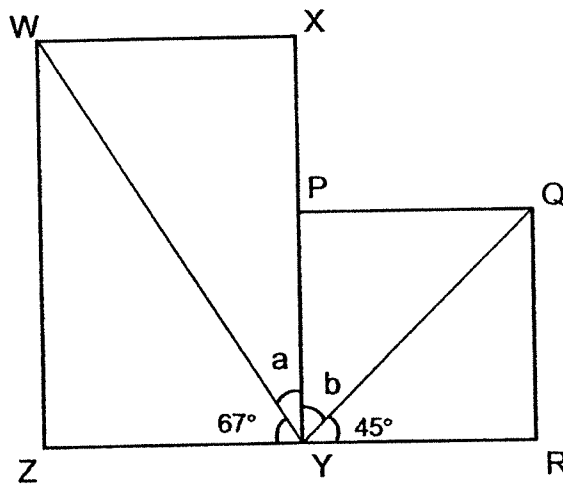
3. The figure below is made up of 4 squares.
How many right angles are there in the figure?



- (1) 8
(2) 12
(3) 16
(4) 20

()

4. WXYZ is a rectangle and PQRY is a square. Find $\angle a + \angle b$.



- (1) 67°
(2) 68°
(3) 112°
(4) 157°

()

5. The table below shows John's mass since he was a baby from the Year 2017 to 2021.

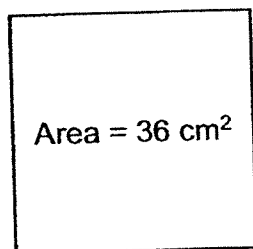
Year	John's mass (kg)
2017	3.6
2018	8.6
2019	12
2020	16
2021	18

From which year to which year did John show the greatest increase in mass?

- (1) From 2017 to 2018
- (2) From 2018 to 2019
- (3) From 2019 to 2020
- (4) From 2020 to 2021

()

6. The area of a square is 36 cm^2 . Find its perimeter.



- (1) 6 cm
- (2) 9 cm
- (3) 24 cm
- (4) 36 cm

()

7. 7 identical keychains cost \$30.10. What is the cost of 2 such keychain?

- (1) \$4.30
- (2) \$8.60
- (3) \$21.50
- (4) \$23.10

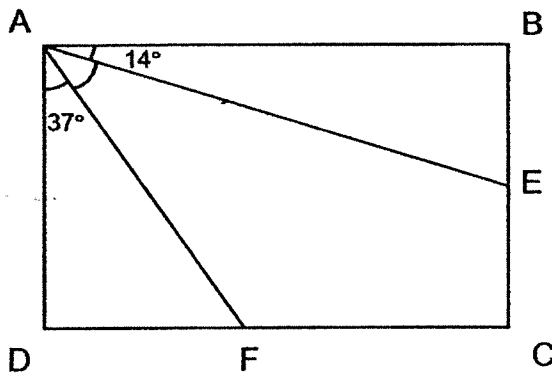
()

Section B (26 marks)

Questions 8 to 20 carry 2 marks each. Write your answers in the spaces provided. Show your workings clearly. For questions which require units, give your answers in the units stated.

All diagrams in this paper are not drawn to scale unless stated otherwise.

8. In the figure shown, ABCD is a rectangle. Find $\angle FAE$.



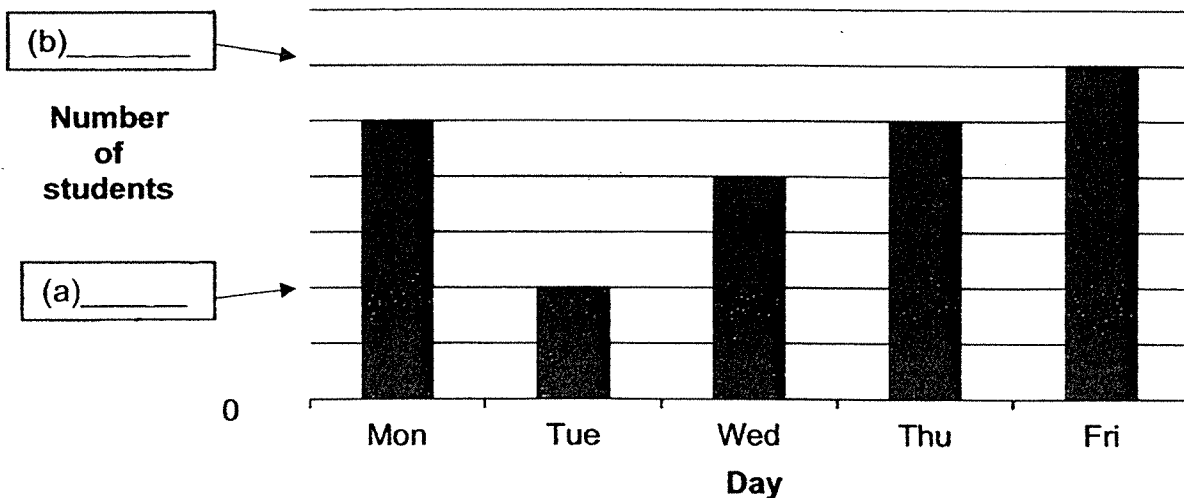
Ans: _____°

9. Dina recorded the number of students that goes to the library from Monday to Friday.

Day	Number of Students
Monday	100
Tuesday	40
Wednesday	80
Thursday	100
Friday	120

She started making a graph of her data. What **numbers** should Dina use to label the horizontal lines on her graph? Put the numbers in the boxes on Dina's graph.

Number of Students Going to the Library



10. Write 7 tenths as a decimal.

Ans: _____

11. Round 21.55 to the nearest whole number.

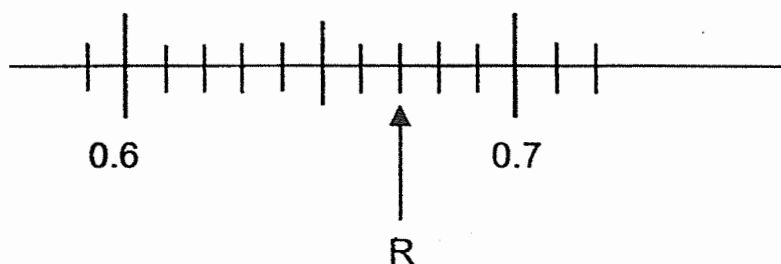
Ans: _____

12. Arrange the following numbers from the smallest to the greatest.

$$\frac{2}{5}, 0.054, 0.504$$

Ans: _____ (smallest) _____ (greatest)

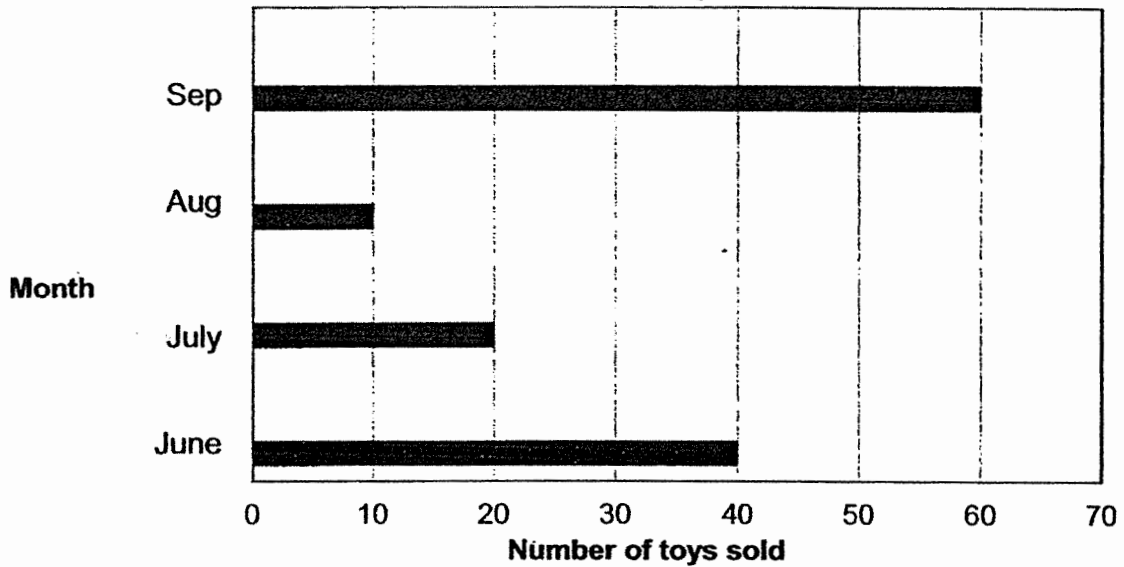
13. Write the decimal represented by R.



Ans: _____

14. The graph below shows the number of toys sold in a shop from June to September.

Number of Toys Sold



- a) In which month was the least number of toys sold?

Ans: _____

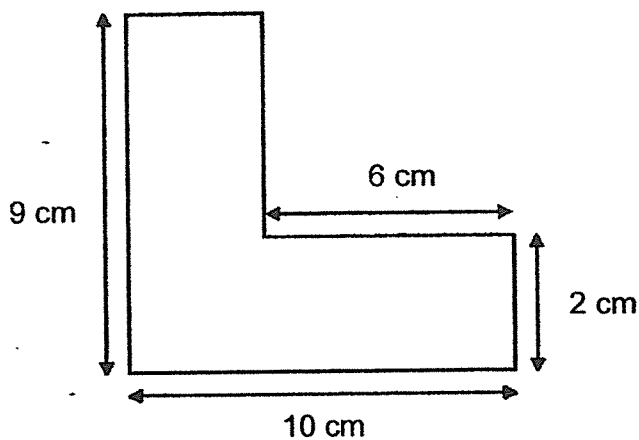
- b) In which month was the number of toys sold two times as many as the number of toys sold in July?

Ans: _____

-
15. A rectangular football field measures 21 m by 5 m. Akila ran around it once. How many metres did she run in total?

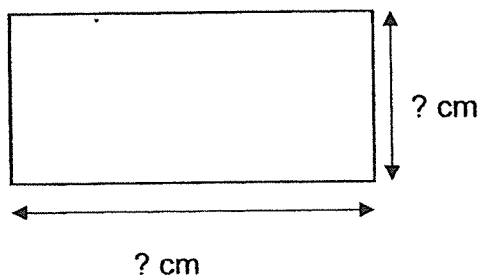
Ans: _____ m

16. Find the area of the figure below.



Ans: _____ cm²

17. The figure below shows a rectangle with an area of 24 cm². State a possible pair of length and its breadth for the rectangle below.



Ans: Length _____ cm

Breadth _____ cm

18. Samuel and Jim have \$81.20 altogether. Samuel has 3 times as much money as Jim. How much money does Jim have?

Ans: \$ _____

19. The table below shows the number of sacks of rice that Dora and Elsa each has. The mass of each sack of rice is 9 kg. Fill in the missing numbers in the table below.

Name	Number of sacks of rice	Total mass of rice
Dora	28	a) _____ kg
Elsa	b) _____	81 kg

-
20. Philip had some money. He bought a toy at \$2.85 and had \$35.20 left. How much did he have at first?

Ans: \$ _____

Section C (10 marks)

Questions 21 to 22 carry 3 marks each. Question 23 carry 4 marks. Show your working clearly and write your answers in the spaces provided. The number of marks available is shown in brackets [] at the end of each question or part-question.

All diagrams in this paper are not drawn to scale unless stated otherwise.

21. Jansen had 45 litres of water. He poured 8.55 litres into a jug, and then poured the remaining amount of water equally into 5 cups.

(a) What was the total amount of water that he had poured into the 5 cups?

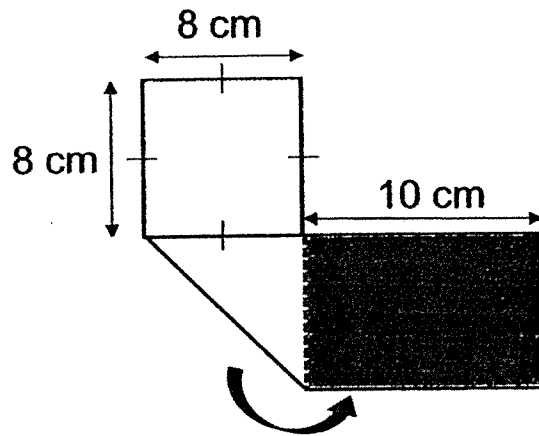
(b) How much water was there in each cup?

Round your answer in (b) to the nearest litre.

Ans: (a) _____ [1]

(b) _____ [2]

22. Jieming has a rectangular piece of paper. He folded one side of the paper to form the shape below.

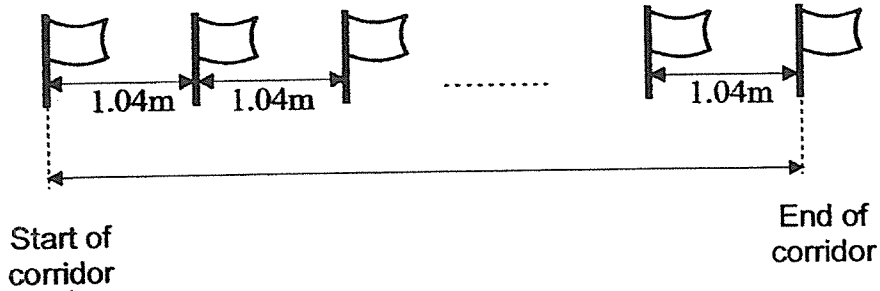


- (a) What is the area of the shaded part of the paper?
- (b) What is the perimeter of the rectangular piece of paper that Jieming has?

Ans: (a) _____ [1]

(b) _____ [2]

23. During a National Day event, 9 flags were placed in a row from one end to the other end of a corridor at an equal spacing of 1.04 m apart as shown in the diagram below.



On the day of the event, 4 flags were removed. As a result, the remaining flags had to be placed in the row from one end to the other end of the corridor at a new equal spacing.

- (a) What was the total length of the corridor?
(b) What was the new spacing between every 2 flags?

Ans: (a) _____ [2]
(b) _____ [2]

End of paper

ANSWER KEY

YEAR : 2021
LEVEL : Primary 4
SCHOOL : Rosyth School
SUBJECT : MATHEMATICS
TERM : Practice Paper

Section A

Q1	3	Q2	2	Q3	3	Q4	2	Q5	1
Q6	3	Q7	2						

Section B

Q8	$90-14-37=39$	Q9	(a) 40 (b) 120
Q10	0.7	Q11	22
Q12	$0.054, \frac{2}{5}, 0.504$	Q13	0.67
Q14	(a) August (b) $40-20=20$ Ans : June	Q15	$21 \times 2 = 42$ $5 \times 2 = 10$ $42+10=52$
Q16	$9 \times 10 = 90$ $9-2=7$ $6 \times 7 = 42$ $90-42=48$	Q17	$24=8 \times 3$ Ans : Length : 8 Breadth : 3
Q18	$81.20 \div 4 = 20.30$	Q19	(a) $28 \times 9 = 252$ (b) $81 \div 9 = 9$
Q20	$35.20+2.85=38.05$		

PAPER 2

Q21	(a) $45-8.55=36.45\ell$ (b) $36.45 \div 5 = 7.29$ $7.29 \approx 7\ell$	Q22	(a) $10 \times 8 = 80\text{cm}^2$ (b) $10+8+8=26$ $26 \times 2 = 52$ $8 \times 2 = 16$ $52+16=68\text{cm}$
Q23	$1.04 \times 8 = 8.32\text{m}$ $9-4=5$ $8.32 \div 4 = 2.08\text{m}$		

