



MARIS STELLA HIGH SCHOOL (PRIMARY)
PRIMARY 4 MATHEMATICS
26th OCTOBER 2021
NON-WEIGHTED ASSESSMENT

30 marks

Total time: 50 min

NAME : _____ ()

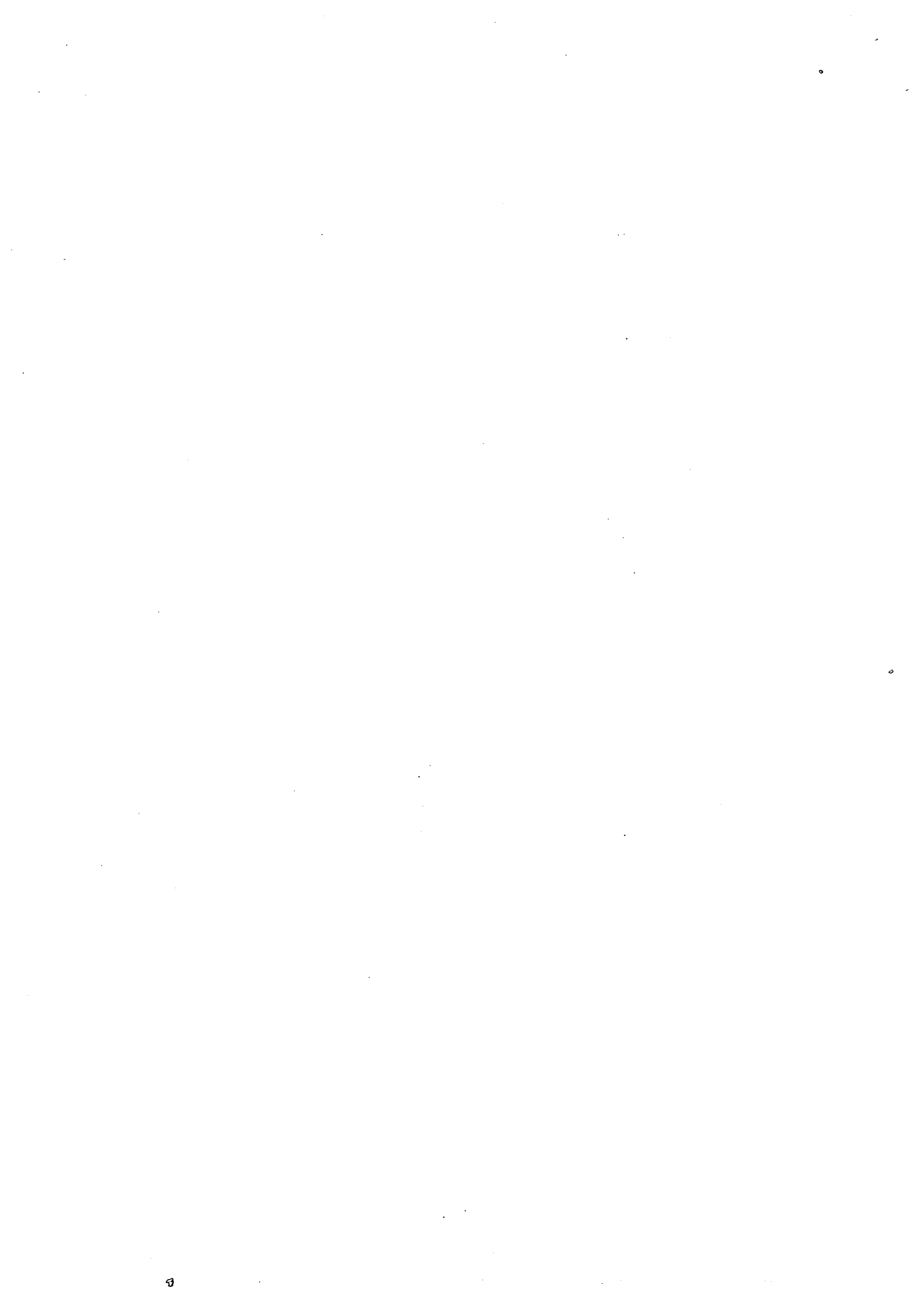
CLASS : PRIMARY 4 _____

DO NOT OPEN THIS BOOKLET UNTIL YOU ARE TOLD TO DO SO.
FOLLOW ALL INSTRUCTIONS CAREFULLY.
ANSWER ALL QUESTIONS.

MARKS OBTAINED :

TOTAL : _____ / 30

Parent's Signature: _____



Section A: 10 marks

Questions 1 to 5 carry 2 marks each. For each question, four options are given. One of them is the correct answer. Make your choice (1, 2, 3 or 4) and write the correct answer in the brackets provided.

1. In which of the following numbers does the digit 3 stand for 3 tenths?

(1) 17.35

(2) 31.74

(3) 43.67

(4) 75.43

()

2. Find the value of $\frac{5}{12} - \frac{1}{3}$.


(1) $\frac{1}{6}$

(2) $\frac{1}{2}$

(3) $\frac{1}{3}$

(4) $\frac{1}{12}$

()

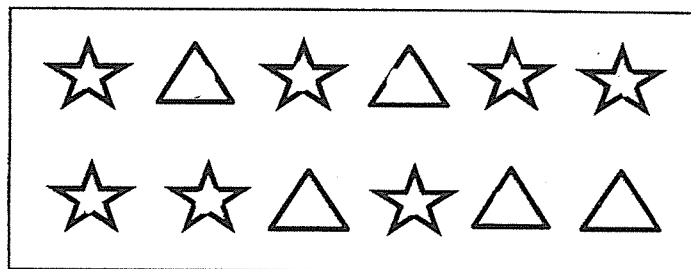
3. What fraction of the shapes in the box are  ?

(1) $\frac{7}{12}$

(2) $\frac{7}{5}$

(3) $\frac{5}{12}$

(4) $\frac{5}{7}$



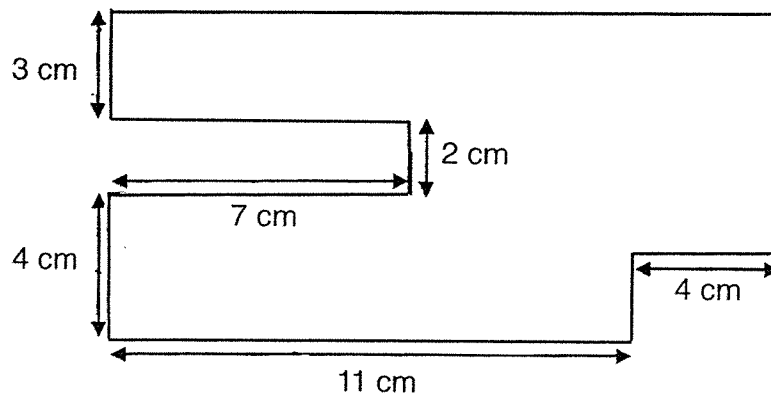
()

4. Mrs Lee used 4.4 kg of flour to bake 8 identical loaves of bread. How much flour did she use for each loaf of bread?

- (1) 0.5 kg
- (2) 0.54 kg
- (3) 0.55 kg
- (4) 0.505 kg

()

5. Find the perimeter of the figure below. All lines meet at right angles.



- (1) 48 cm
- (2) 55 cm
- (3) 62 cm
- (4) 64 cm

()

End of Section A
Go on to Section B

9. Chris spent $\frac{7}{12}$ of his money. He spent \$56.

How much did he have at first?

Answer: \$ _____

10. Sue bought a bag and 5 shirts. The bag cost 3 times as much as a shirt. She paid \$240 in total. How much did the bag cost?

Answer: \$ _____

Do not
write in
this
space.

SECTION C: 10 marks

Question 11 and 12 carries 3 marks each. Question 13 carry 4 marks.
Show your workings clearly in the space provided for each question and write your answers in the blanks provided.

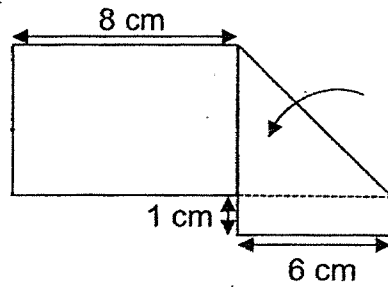
11. Patrick had \$72 and his sister had \$8 at first. After they received an equal amount of allowance, Patrick had twice as much money as his sister. How much allowance did each of them receive?

Do not write in this space.

Answer: _____ [3]

12. The figure below is formed by folding a corner of a piece of rectangular paper. Find the area of the rectangular paper before it was folded.

Do not write in this space.

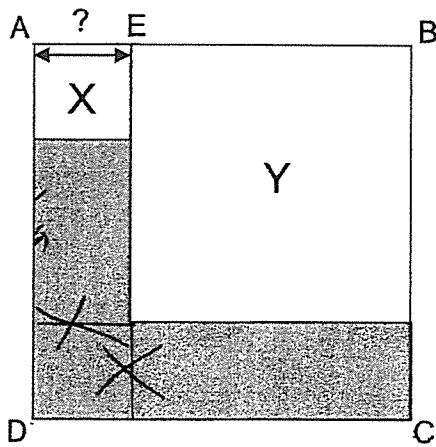


Answer: _____ [3]

13. The figure below shows Square X and Square Y inside Square ABCD.
The area of Square Y is 49 cm^2 and the area of Square ABCD is 81 cm^2 .

Do not write in this space.

- (a) Find the length of AE.
(b) Find the area of the shaded region.



Answer: (a) _____ [2]

(b) _____ [2]

End of Paper
Please check your work carefully

ANSWER KEY

YEAR : 2021
LEVEL : Primary 4
SCHOOL : Maris Stella High School (Primary)
SUBJECT : MATHEMATICS
TERM : Non-Weighted assessment

Q1	1	Q2	4	Q3	1	Q4	3	Q5	3
----	---	----	---	----	---	----	---	----	---

Q6	$2 \times 8 = 16$ $16 + 5 = 21$ Ans : $\frac{21}{8}$	Q7	$0.075, 0.705, \frac{3}{4}$
Q8	$5.25 - 0.48 = 4.77$ $4.77 + 5.25 = 10.02$	Q9	$56 \div 7 = 8$ $12 \times 8 = 96$
Q10	$240 \div 8 = 30$ $30 \times 3 = 90$	Q11	$72 - 8 = 64$ $64 \times 2 = 128$ $128 - 72 = \$56$
Q12	$8 + 6 + 1 = 15$ $15 \times 6 = 90 \text{cm}^2$	Q13	(a) $49 = 7 \times 7$ $81 = 9 \times 9$ $9 - 7 = 2 \text{cm}$ (b) $2 \times 2 = 4$ $4 + 49 = 53$ $81 - 53 = 28 \text{cm}^2$

2/10

