



Anglo-Chinese School
(Primary)

A Methodist Institution
(Founded 1886)

**PRIMARY FOUR
MATHEMATICS
SA2 REVISION PAPER 2021
Set 2**

Name: _____ () Class: Primary 4 ____

Date: _____

Duration of paper: 1h 45 min

Parent's / Guardian's Signature

No.	Contents	Marks	Marks Obtained
1.	SECTION A	30	
2.	SECTION B	40	
3.	SECTION C	30	
	TOTAL	100	

SECTION A - Multiple Choice Questions (30 MARKS)

Questions 1 to 15 carry 2 marks each.

For each question, four options are given. One of them is the correct answer. Make your choice (1, 2, 3 or 4). Shade the correct oval (1, 2, 3 or 4) on the Optical Answer Sheet (OAS).

1. 44 thousands and 7 tens is the same as _____.
 - (1) 44 770
 - (2) 44 700
 - (3) 44 070
 - (4) 44 007

2. 25 784 rounded off to the nearest hundred is _____.
 - (1) 25 700
 - (2) 25 780
 - (3) 25 800
 - (4) 26 000

3. Which number below is 1.4 less than 5.79?
 - (1) 7.19
 - (2) 6.83
 - (3) 5.65
 - (4) 4.39

4. Arrange the following decimals from the smallest to the greatest.

2.027 , 2.207 , 2.702 , 2.072

(smallest)

(greatest)

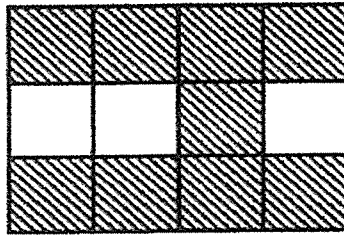
- (1) 2.027 , 2.072 , 2.207 , 2.702
- (2) 2.072 , 2.207 , 2.027 , 2.702
- (3) 2.072 , 2.027 , 2.207 , 2.702
- (4) 2.027 , 2.207 , 2.072 , 2.702
5. Express $\frac{54}{100}$ as a decimal.

- (1) 0.054
- (2) 0.504
- (3) 0.540
- (4) 5.400

6. What is the missing number in the box?

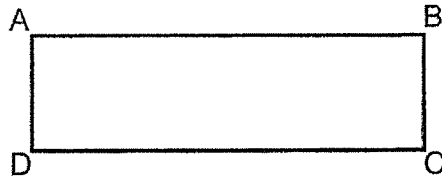
$$9.16 = 9 \frac{\boxed{?}}{50}$$

- (1) 32
(2) 16
(3) 12
(4) 8
7. The figure shown below is made up of 12 identical squares.
What fraction of the figure is shaded?



- (1) $\frac{1}{4}$
(2) $\frac{1}{3}$
(3) $\frac{1}{2}$
(4) $\frac{3}{4}$

8. ABCD is a rectangle.



Which of the following statement about the rectangle ABCD is correct?

- (1) AB is perpendicular to CD
 - (2) AD is parallel to BC
 - (3) The length of AB is 4 times the length of BC
 - (4) There is only a pair of parallel sides
9. 1.906 is the same as _____ .

- (1) $\frac{10}{10} + \frac{9}{10} + \frac{6}{1000}$
- (2) $\frac{10}{10} + \frac{9}{100} + \frac{6}{1000}$
- (3) $\frac{1}{10} + \frac{9}{10} + \frac{6}{10}$
- (4) $\frac{1}{10} + \frac{9}{100} + \frac{6}{1000}$

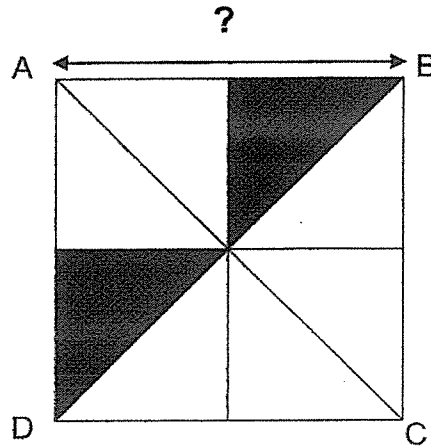
10. What is the missing number in the box?

$$7\frac{5}{9} = \frac{\boxed{?}}{9}$$

- (1) 35
- (2) 44
- (3) 63
- (4) 68

11. Square ABCD is made up of 8 identical triangles.

The area of one shaded triangle is 50 m^2 . What is the length of AB?



- (1) 25 m
- (2) 20 m
- (3) 10 m
- (4) 5 m

12. What is the difference between the 8th multiple of 7 and the 4th multiple of 8?

(1) 88

(2) 56

(3) 32

(4) 24

13. Which one of the following letter has perpendicular lines?

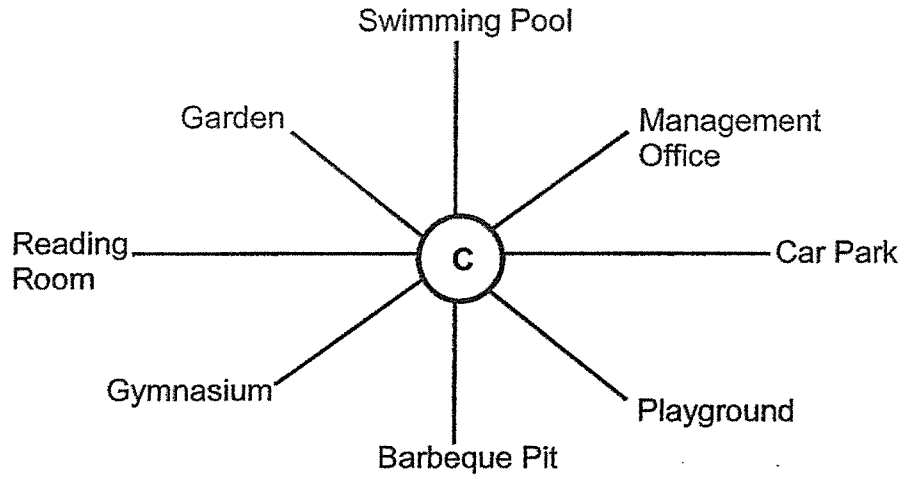
(1) **W**

(2) **N**

(3) **F**

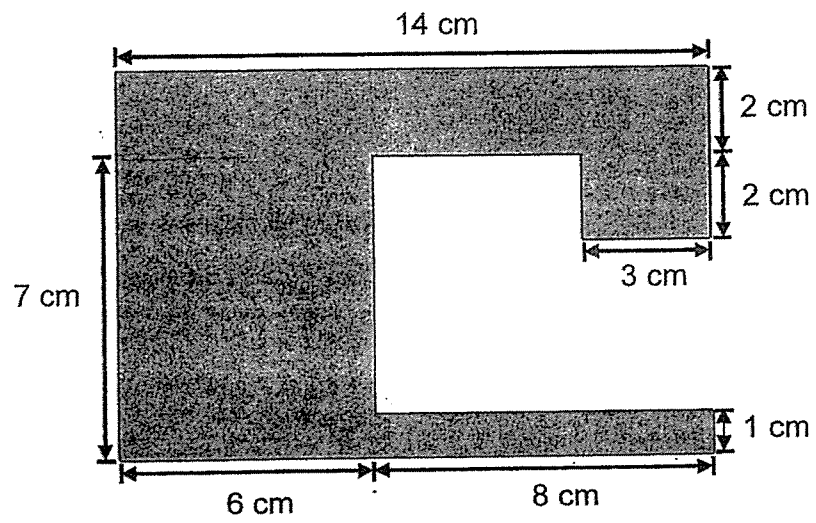
(4) **Z**

14. Matt is standing at the point marked **C** in the figure below. He is facing the Reading Room. In which direction would he be facing when he turns 135° anti-clockwise?



- (1) Management Office
- (2) Barbeque Pit
- (3) Playground
- (4) Car Park

15. What is the area of the shaded figure?



- (1) 126 cm^2
- (2) 98 cm^2
- (3) 84 cm^2
- (4) 42 cm^2

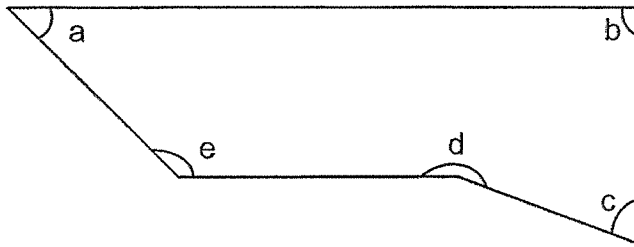
SECTION B - Short Answers (40 Marks)

Questions 16 to 35 carry 2 marks each. Show all workings clearly.
Write your answer in the space provided. Give your answers in the units stated
and in its simplest form whenever possible.

16. Write seventy thousand and thirteen in figures.

Ans: _____

17. In the figure, one of the angles is a right angle. Name the angle.



Ans: \angle _____

18. Find the value of $6 \div 7$. Round off your answer as a decimal to 2 decimal places.

Ans: _____

19. What is the remainder when 1276 is divided by 6?

Ans: _____

20. Some factors of 81 are 1, 9 and 81. What are the other two factors of 81?

Ans: _____ and _____

21. Write $\frac{32}{6}$ as a mixed number in its simplest form.

Ans: _____

The table below shows the favourite sport of Primary 4J pupils. Use the information provided in the table to answer questions 22 and 23.

Sport	Number of pupils
Basketball	18
Badminton	8
Football	?
Swimming	4
Tennis	7

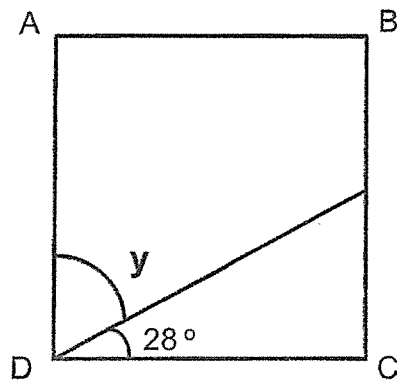
22. There were 43 pupils in the class. How many pupils chose football as their favourite sport?

Ans: _____

23. Which sport was 2 times as popular as swimming?

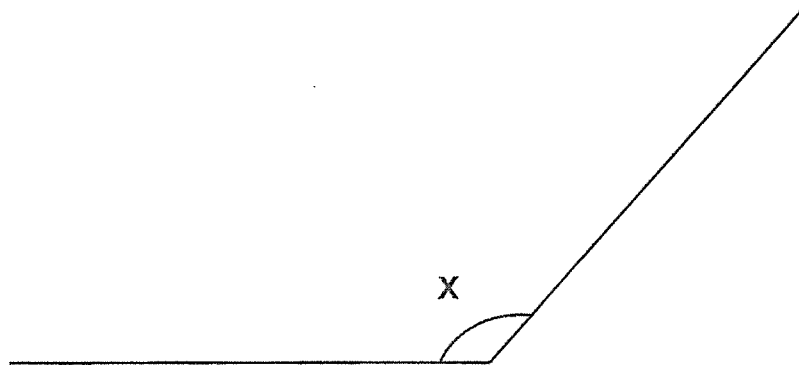
Ans: _____

24. ABCD is a rectangle. Find $\angle y$.



Ans: _____ $^\circ$

25. Measure and write down the size of $\angle x$.



Ans: _____ $^\circ$

26. Write the missing number in the number pattern below.

_____ , 11 387, 10 137, 8887, 7637

Ans: _____

27. What is the first common multiple of 6 and 8?

Ans: _____

28. Elton took a bus to attend a friend's birthday party. The party lasted for 1 h 45 min and ended at 16 30. If the bus ride to the friend's place was 22 minutes long, what time did Elton board the bus? Leave your answer in 24-hour clock format.

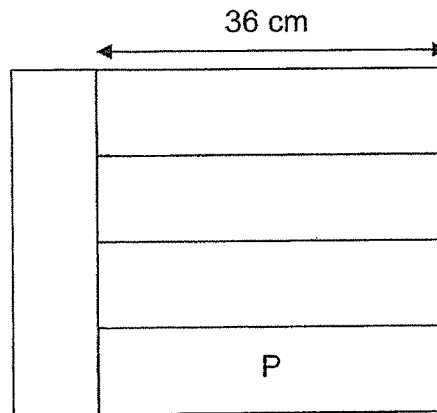
Ans: _____

29. What are the missing numerators?

$$\frac{\boxed{(a)}}{4} - \frac{\boxed{(b)}}{3} = \frac{1}{12}$$

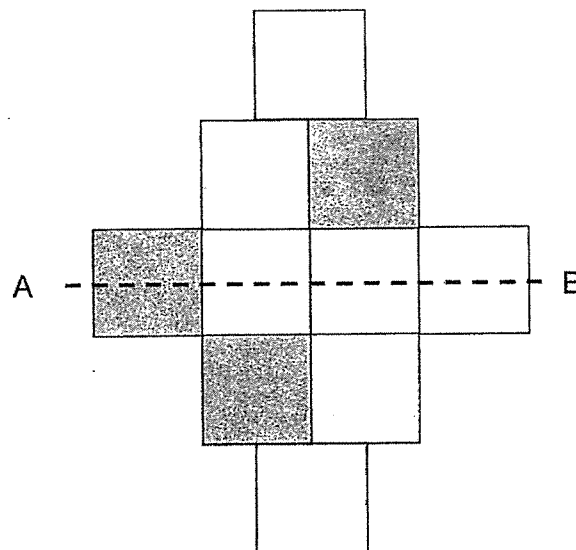
Ans: (a) _____ and (b) _____

30. The figure is made up of 5 identical rectangles.
 What is the area of rectangle P?



Ans: _____ cm²

31. In the figure below, the dotted line AB is the line of symmetry.
 Shade two more unit squares on the figure below to complete the symmetric figure.

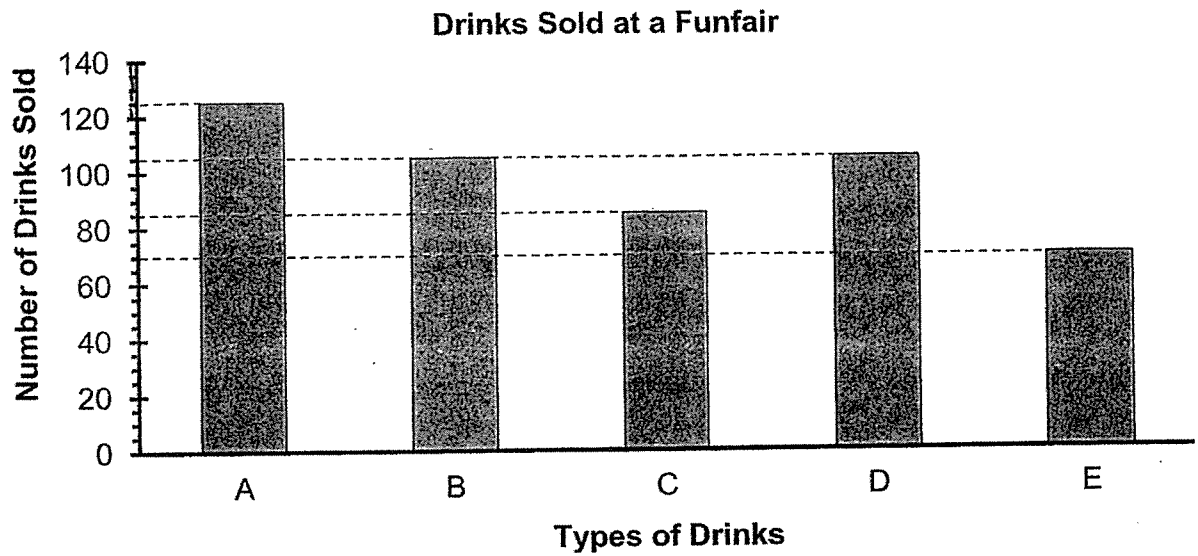


32. Mr Tan bought 18 computers for his office. The cost of each computer was \$976.
How much did Mr Tan spend altogether?

Ans: \$ _____

Study the graph below carefully and answer questions 33, 34 and 35.

The bar graph below shows the number of drinks sold at a funfair.



33. There were _____ fewer drinks of Type C sold than Type A.

Ans: _____

34. What is the difference between the most popular and least popular drink sold?

Ans: _____

35. Each drink costs \$2. How much money was collected from selling Type B drinks at the funfair?

Ans: \$ _____

SECTION C - Problem Sums (30 Marks)

For each question from 36 to 43, show your working and mathematical statements clearly in the space below each question. Write your answer in the answer space provided. Give your answers in the units stated and in its simplest form whenever possible. Marks awarded are shown in the brackets [].

36. Bob had 3 times as many stamps as Anna. They had 820 stamps altogether. Bob gave 234 stamps to Anna. How stamps did Anna have in the end?

Answer : _____ [3]

37. Winnie had \$564. She spent $\frac{1}{6}$ of her money on books and another \$158 on groceries. How much money had she left?

Answer : _____ [3]

38. Dana usually takes a bus from her home to school. If she leaves home at 06 10, she will reach school at 07 25. Last week, a new MRT line has opened and she can take the train directly from home to school instead. This will shorten her journey by 35 minutes.
- a) How long does Dana take to go school by the new MRT line?
 - b) Dana spent the next 6 h 25 min in school before dismissal. If Dana started school at 07 45, at what time was she dismissed from school? Give your answer in the 12 h clock format.

Answer : a) _____ [2]

b) _____ [2]

39. Andy had 1484 pencils and erasers. After he gave away $\frac{4}{5}$ of the pencils and 248 erasers to Chloe, he had an equal number of pencils and erasers left.

- a) How many pencils did Andy have in the end?

- b) Chloe packed the erasers that she received from Andy into packs of 8 and sold each pack at \$3. How much did she receive from selling the erasers?

Answer : a) _____ [2]

b) _____ [2]

40. The total mass of 3 identical cans of sardine and 2 packets of flour was 8.1 kg. The total mass of 5 such cans of sardine and 4 such packet of flour is 14.7 kg. What is the mass of 10 cans of sardine and 10 packets of flour?

Answer : _____ [4]

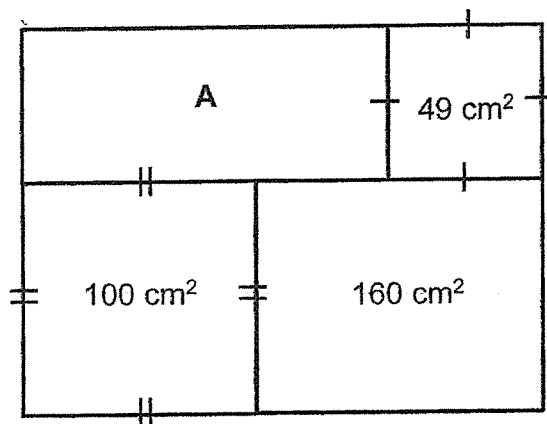
41. Kelvin and Hannah had the same number of cards. When Kelvin gave away 2075 of his cards and Hannah gave away 367 of her cards, Hannah had five times as many cards as Kelvin. How many cards did each of them have at first?

Answer : _____ [4]

42. Vincent had some money. He wanted to buy 5 movie tickets but he was short of \$35. Instead, he bought 2 movie tickets and had \$2.50 left.
How much money did he have at first?

Answer : _____ [4]

43. The figure below, not drawn to scale, is made up of 2 squares and 2 rectangles.
What is the area of Rectangle A?



Answer : _____ [4]

End – of – Paper

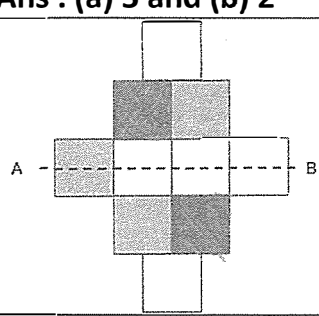
ANSWER KEY

YEAR : 2021
LEVEL : Primary 4
SCHOOL : Anglo-Chinese School
SUBJECT : MATHEMATICS
TERM : SA2 Revision Paper set 2

Section A

Q1	3	Q2	3	Q3	4	Q4	1	Q5	3
Q6	4	Q7	4	Q8	2	Q9	1	Q10	4
Q11	2	Q12	4	Q13	3	Q14	3	Q15	3

Section B

Q16	70013	Q17	$\angle b$
Q18	$6 \div 7 \approx 0.86(2d.p.)$	Q19	$1276 \div 6 = 212R4$ Ans : 4
Q20	3 and 27	Q21	$\frac{32}{6} = 5\frac{1}{3}$
Q22	$43-18-8-4-7=6$	Q23	$4 \times 2 = 8$ Ans : Badminton
Q24	$90-28=62$	Q25	132
Q26	$11387+1250=12637$	Q27	24
Q28	1423	Q29	$\frac{3}{4} - \frac{2}{3} = \frac{9}{12} - \frac{8}{12}$ $= \frac{1}{12}$ Ans : (a) 3 and (b) 2
Q30	$36 \div 4 = 9$ $36 \times 9 = 324$	Q31	
Q32	$976 \times 18 = 17568$	Q33	$125-85=40$ $125-70=55$
Q34	$125-70=55$	Q35	$105 \times 2 = 210$

Electronic Multiple Choice Questions eMCQ at www.sgtestpaper.com

Section C

Q36	$820 \div 4 = 205$ $205 + 234 = 439$	Q37	$564 \div 6 = 94$ $94 + 158 = 252$ $564 - 252 = \$312$
Q38	(a) 40min (b) 2.10pm	Q39	(a) $1484 - 248 = 1236$ $1236 \div 6 = 206$ (b) $248 \div 8 = 31$ $31 \times 3 = \$93$
Q40	$14.7 - 8.1 = 6.6$ $8.1 - 6.6 = 1.5$ $1.5 \times 2 = 3$ $6.6 - 3 = 3.6$ $3.6 \div 2 = 1.8$ $1.5 \times 10 = 15$ $1.8 \times 10 = 18$ $15 + 18 = 33\text{kg}$	Q41	$2075 - 367 = 1708$ $1708 \div 4 = 427$ $427 + 2075 = 2502$
Q42	$35 + 2.50 = 37.50$ $37.50 \div 3 = 12.50$ $12.50 \times 2 = 25.00$ $25.00 + 2.50 = \$27.50$	Q43	$100 = 10 \times 10$ $160 \div 10 = 16$ $49 = 7 \times 7$ $16 - 7 = 9$ $9 + 10 = 19$ $19 \times 7 = 133\text{cm}^2$