

METHODIST GIRLS' SCHOOL (PRIMARY)  
Founded in 1887



MID-YEAR EXAMINATION 2021

PRIMARY 4

MATHEMATICS

(SECTION A)

Total Time

Sections A to C: 1 hour 45 minutes

**INSTRUCTIONS TO CANDIDATES**

Do not turn over this page until you are told to do so.

Follow all instructions carefully.

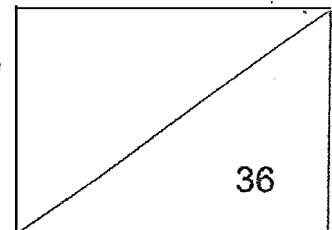
Answer all questions.

Shade your answers in the Optical Answer Sheet (OAS) provided.

Name: \_\_\_\_\_ ( )

Class : Primary 4. \_\_\_\_\_

Date : 18 May 2021



This booklet consists of 9 printed pages including this page.

**SECTION A: 36 marks**

Questions 1 to 18 carry 2 mark each. For each question, four options are given.

One of them is the correct answer. Make your choice (1, 2, 3 or 4).

Shade the correct oval (1, 2, 3 or 4) on the Optical Answer Sheet.

---

1 Fifty-six thousand, two hundred and four written as numeral is \_\_\_\_\_.

- (1) 5 624
- (2) 56 024
- (3) 56 204
- (4) 56 240

2 Which one of the following is equal to 37 056?

- (1)  $37\,000 + 500 + 6$
- (2)  $37\,000 + 500 + 60$
- (3)  $30\,000 + 700 + 50 + 6$
- (4)  $30\,000 + 7000 + 50 + 6$

3 Which one of the following numbers has the digit '5' in both the tens and thousands places?

- (1) 57 058
- (2) 57 085
- (3) 75 058
- (4) 75 085

(Go on to the next page)

4 Which one of the following is the first common multiple of 6 and 8?

- (1) 12
- (2) 24
- (3) 32
- (4) 48

5 Which one of the following is not a factor of 28?

- (1) 1
- (2) 2
- (3) 3
- (4) 4

6 Express  $\frac{42}{8}$  as a mixed number.

- (1)  $4\frac{2}{8}$
- (2)  $5\frac{1}{2}$
- (3)  $5\frac{1}{4}$
- (4)  $\frac{1}{4}$

(Go on to the next page)

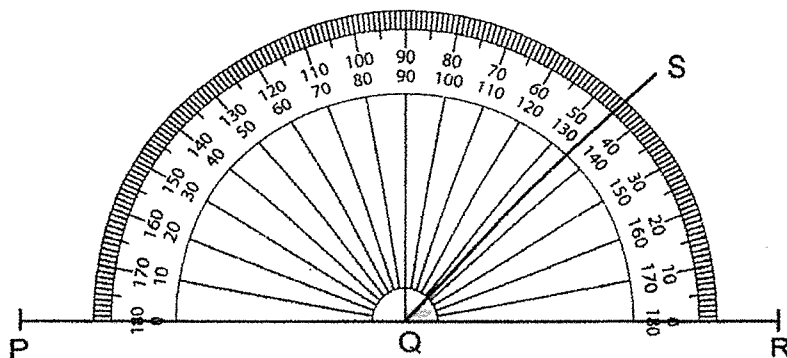
7 2345 bottles of water were given out daily at a concert. How many bottles of water were given out for 6 days?

- (1) 12 840
- (2) 14 070
- (3) 14 670
- (4) 16 220

8 Which one of the following numbers is the smallest possible number to give 55 000 when rounded to the nearest 1000?

- (1) 54 499
- (2) 54 501
- (3) 54 500
- (4) 54 999

9 What is  $\angle SQR$ ?



- (1)  $45^\circ$
- (2)  $55^\circ$
- (3)  $135^\circ$
- (4)  $145^\circ$

(Go on to the next page)

- 10 Arrange the following from the greatest to the smallest.

$$\frac{2}{3}, \frac{1}{2}, \frac{7}{12}$$

(greatest) (smallest)

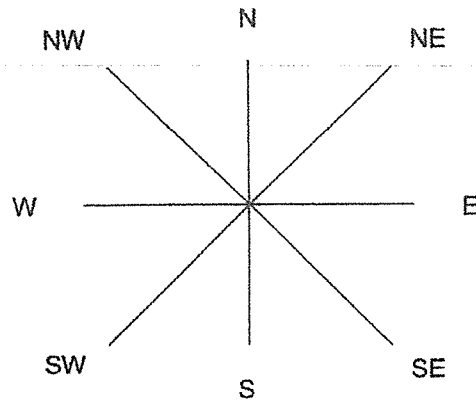
(1)  $\frac{1}{2}, \frac{2}{3}, \frac{7}{12}$

(2)  $\frac{1}{2}, \frac{7}{12}, \frac{2}{3}$

(3)  $\frac{7}{12}, \frac{1}{2}, \frac{2}{3}$

(4)  $\frac{2}{3}, \frac{7}{12}, \frac{1}{2}$

- 11 Titus is facing North-West. If he turns in an anti-clockwise direction, what is the angle that he needs to turn to face south?



- (1)  $90^\circ$   
 (2)  $135^\circ$   
 (3)  $225^\circ$   
 (4)  $270^\circ$

(Go on to the next page)

- 12 Ali bought a rope which was 28 m long. He used  $\frac{2}{7}$  of it to tie some boxes.

What was the length of rope he used?

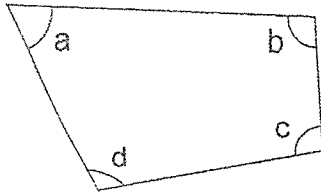
- (1) 8 m
- (2) 2 m
- (3) 14 m
- (4) 4 m

- 13 Packet A contains  $\frac{5}{6}$  kg of flour. It has  $\frac{1}{4}$  kg more flour than Packet B.

How much flour are there in Packet B? Give your answer in the simplest form.

- (1)  $\frac{3}{5}$  kg
- (2) 2 kg
- (3)  $\frac{7}{12}$  kg
- (4)  $1\frac{1}{12}$  kg

- 14 In the figure below, which angle is smaller than a right angle?



- (1)  $\angle a$   
(2)  $\angle b$   
(3)  $\angle c$   
(4)  $\angle d$
- 15 Mei Ling needs to prepare 216 bouquets of 8 roses each.  
How many roses does she need in total?
- 

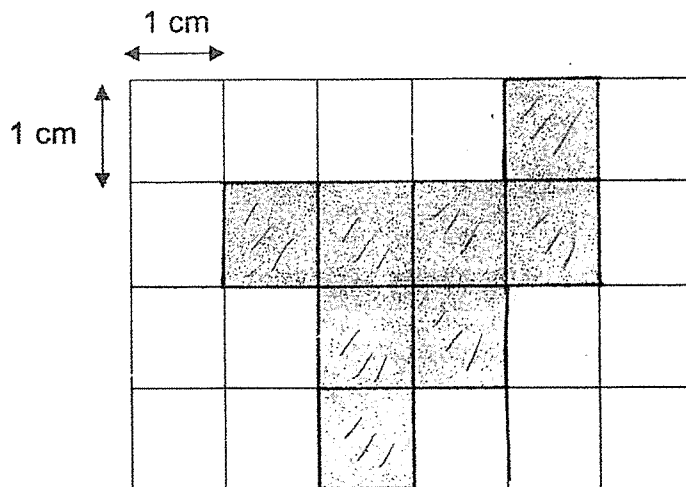
- (1) 27  
(2) 208  
(3) 224  
(4) 1728

(Go on to the next page)

- 16 Gopal bought 7 identical watches at \$275 each. He was then left with \$28. How much money had Gopal at first?

- (1) \$1495
- (2) \$1523
- (3) \$1925
- (4) \$1953

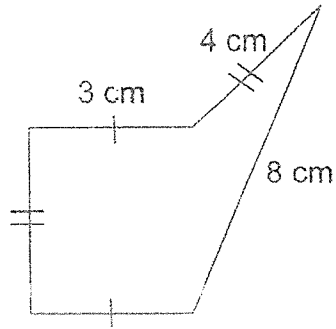
- 17 What is the area of the shaded figure?



- (1)  $6 \text{ cm}^2$
- (2)  $8 \text{ cm}^2$
- (3)  $16 \text{ cm}^2$
- (4)  $23 \text{ cm}^2$

(Go on to the next page)

- 18 Find the perimeter of the following figure.



- (1) 19 cm
- (2) 21 cm
- (3) 22 cm
- (4) 23 cm

**END OF SECTION A**

(Go on to Section B)

METHODIST GIRLS' SCHOOL (PRIMARY)

Founded in 1887



MID-YEAR EXAMINATION 2021

PRIMARY 4

MATHEMATICS

(SECTION B)

Total Time

Sections A to C: 1 hour 45 minutes

**INSTRUCTIONS TO CANDIDATES**

Do not turn over this page until you are told to do so.

Follow all instructions carefully.

Answer all questions.

Name: \_\_\_\_\_ ( )

Class: Primary 4. \_\_\_\_\_

Date: 18 May 2021

<b>SECTION A</b>	<b>36</b>
<b>SECTION B</b>	<b>36</b>
<b>SECTION C</b>	<b>28</b>
<b>TOTAL</b>	<b>100</b>

This booklet consists of 9 printed pages including this page

**SECTION B: 36 marks**

Questions 19 to 36 carry 2 marks each. Write your answers in the spaces provided.

For questions which require units, give your answers in the units stated.

Do not write  
in this space

19 \_\_\_\_\_ is 1000 less than 32 186.

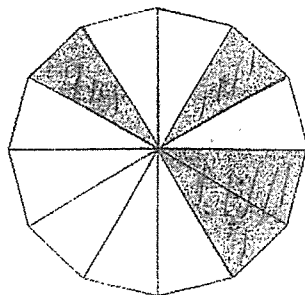
Ans: \_\_\_\_\_

20 Use the digits below to form the smallest 5-digit odd number.  
The digit in the hundreds place is twice the digits in the tens place.

0, 1, 2, 3, 4

Ans: \_\_\_\_\_

21 How many more triangles must be shaded so that  $\frac{3}{4}$  of the figure is shaded?



Ans: \_\_\_\_\_

(Go on to the next page)

- 22 Siti writes a number on a piece of paper. The number is more than 10 but less than 20. It is a factor of 24. It is also a multiple of 3. What is the number written by Siti?

Do not write  
in this space

Ans: \_\_\_\_\_

- 23 What is the missing number in the box? Complete the number pattern.

2 450	2 650	2 850	?	3 250
-------	-------	-------	---	-------

Ans: \_\_\_\_\_

- 24 Sarah spent \$54 on art materials. She spent  $\frac{2}{9}$  of her money on crayons. She spent the rest on paint. How much did she spend on paint?

Ans: \$ \_\_\_\_\_

(Go on to the next page)

25  $\frac{43}{5} = 8 \frac{\square}{10}$

What is the missing number in the box?

Do not write  
in this space

Ans: \_\_\_\_\_

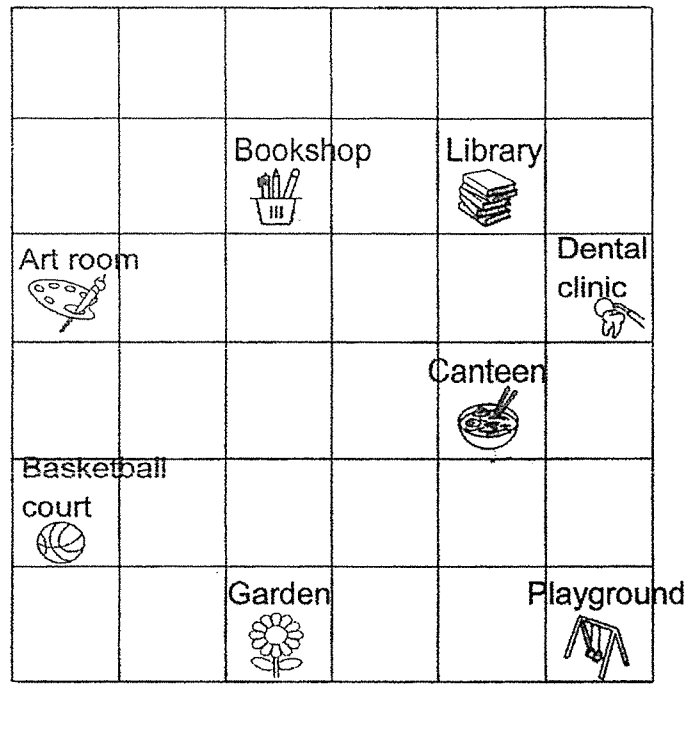
- 26 A tin of cookies weighed 250 g. Miss Lim ordered 24 such tins of cookies.  
What was the total mass of cookies Miss Lim ordered?

Ans: \_\_\_\_\_ g

(Go on to the next page)

Use the information below to answer **Questions 27 and 28**.  
The square grid below shows the plan of a school.

Do not write  
in this space



- 27** (a) Jessie is at the Dental clinic. In which direction is the Art room from the Dental clinic?
- (b) Peter is at the bookshop facing East. If he wants to face the canteen, he has to turn through an angle of \_\_\_\_\_ clockwise direction.

Ans:(a) \_\_\_\_\_

(b) \_\_\_\_\_

- 28** Jane is in the canteen facing North. She then turned  $225^\circ$  in a clockwise direction. Which place would Jane be facing?

Ans: \_\_\_\_\_

(Go on to the next page)

- 29 In the space below, draw  $\angle EFG = 68^\circ$   
The line EF has been drawn for you. Mark and label the angle.

Do not write  
in this space



- 30 An even number when rounded to the nearest hundred is 6 500.  
What is the greatest possible value of this number?

Ans: \_\_\_\_\_

(Go on to the next page)

- 31 Chef Chan prepared some beef pies and 4302 chicken pies.  
The number of chicken pies is 9 times the number of beef pies.  
How many beef pies did Chef Chan prepare?

Do not write  
in this space

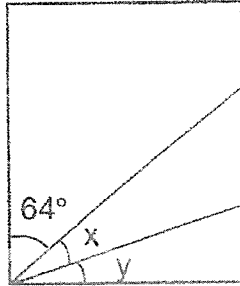
Ans: \_\_\_\_\_

- 32 Muffins are sold in boxes of 8.  
Jenny needs 100 muffins for a party.  
What is the least number of boxes of muffins she should buy?

Ans: \_\_\_\_\_

(Go on to the next page)

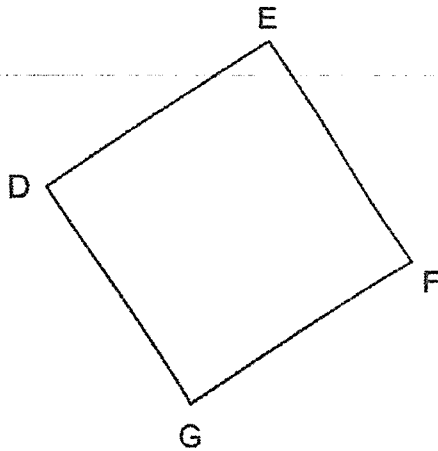
- 33 The figure below shows a rectangle.  $\angle x$  is equal to  $\angle y$ .  
What is  $\angle y$ ?



Do not write  
in this space

Ans: \_\_\_\_\_ °

- 34 DEFG is a square.  
Name a pair of perpendicular and parallel lines.



Ans: (a) \_\_\_\_\_  $\perp$  \_\_\_\_\_

(b) \_\_\_\_\_  $\parallel$  \_\_\_\_\_

(Go on to the next page)

- 35 A bag of onions weighs  $\frac{1}{10}$  kg. It weighs  $\frac{3}{5}$  kg lighter than a bag of potatoes.  
What is the total mass of a bag of onions and a bag of potatoes?  
Give your answer in its simplest form.

Do not write  
in this space

Ans: \_\_\_\_\_ kg

- 36 The difference between two strings is  $\frac{2}{9}$  m. The longer string is  $\frac{5}{6}$  m. What is the length of the shorter string? Give your answer in its simplest form.

Ans: \_\_\_\_\_ m

**END OF SECTION B**

(Go on to Section C)

METHODIST GIRLS' SCHOOL (PRIMARY)

Founded in 1887



MID-YEAR EXAMINATION 2021

PRIMARY 4

MATHEMATICS

(SECTION C)

Total Time

Sections A to C: 1 hour 45 minutes

**INSTRUCTIONS TO CANDIDATES**

Do not turn over this page until you are told to do so.

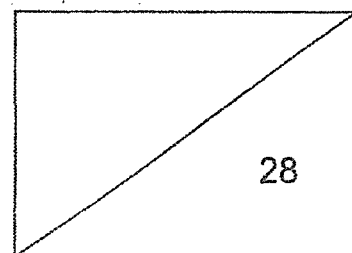
Follow all instructions carefully.

Answer all questions.

Name: \_\_\_\_\_ ( )

Class: Primary 4. \_\_\_\_\_

Date : 18 May 2021



This booklet consists of 7 printed pages including this page

**Section C: 28 marks**

Show your working clearly in the space provided for each question and write your answers in the space provided. The number of marks available is shown in the brackets [ ] at the end of each question or part question.

Do not write  
in this space

37 Ravi has 4 times as much money as Bala. They have \$6000 in total.

(a) How much money has Bala?

(b) How much more money has Ravi than Bala?

Ans: (a) \_\_\_\_\_ [2]

(b) \_\_\_\_\_ [1]

38 Alice scored 120 points less than Betty.

Cathy scored 54 points more than Alice.

They scored a total of 1518 points.

How many points did Alice score?

Ans: \_\_\_\_\_ [3]

(Go on to the next page)

- 39 John is thinking of a 3-digit number.  
When this number is divided by 4 or 6, it does not have a remainder.  
The number is between 121 and 135.  
What is the number John is thinking of?

Do not write  
in this space

Ans: \_\_\_\_\_ [3]

- 40 There are a total of 121 apples, oranges and pineapples in a basket.  
66 of them are apples and 15 are oranges. What fraction of the fruits are  
made up of oranges and pineapples?

Ans: \_\_\_\_\_ [3]

(Go on to the next page)

41 There was  $\frac{11}{12}$  ℓ of water in a tank. Raju used  $\frac{1}{3}$  ℓ of it to water his plants.

The next day, he added  $\frac{3}{4}$  ℓ of water into the tank.

- (a) How much water was left in the tank after Raju watered his plants?  
(b) How much water was there in the tank in the end? Give your answer as a mixed number in the simplest form.

Do not write  
in this space

Ans: (a) \_\_\_\_\_ [2]

(b) \_\_\_\_\_ [2]

(Go on to the next page)

- 42 A printer cost \$300 less than a tablet.  
A school paid \$9630 for 2 tablets and 5 printers.  
What was the cost of 1 printer?

Do not write  
in this space

Ans: \_\_\_\_\_ [4]

(Go on to the next page)

43 Two bakers prepared 2928 buns each.

Baker A packed the buns he prepared into packets of 6.

Baker B packed the buns he prepared into packets of 4.

- (a) How many packets of 6 buns were packed by Baker A?  
(b) How many more packets of buns did Baker B pack than Baker A?

Do not write  
in this space

Ans: (a) \_\_\_\_\_ [1]

(b) \_\_\_\_\_ [3]

(Go on to the next page)

- 44 Ali, Meng and Raju had 473 marbles altogether.  
Meng had 3 times as many marbles as Ali.  
Raju had 68 marbles more than Ali.  
How many marbles did Meng have?

Do not write  
in this space

Ans: \_\_\_\_\_ [4]

**END OF PAPER**



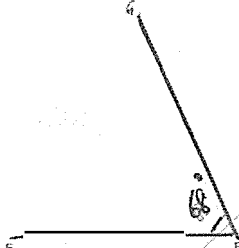
## ANSWER KEY

**YEAR** : 2021  
**LEVEL** : Primary 4  
**SCHOOL** : Methodist Girls' School (Primary)  
**SUBJECT** : MATHEMATICS  
**TERM** : Mid-Year Examination

### Section A

Q1	3	Q2	4	Q3	3	Q4	2	Q5	3
Q6	3	Q7	2	Q8	3	Q9	1	Q10	4
Q11	2	Q12	1	Q13	3	Q14	1	Q15	4
Q16	4	Q17	2	Q18	3				

### Section B & C

Q19	$32186 - 1000 = 31186$	Q20	10423
Q21	$\frac{3}{4} - \frac{9}{12}$ $9 - 4 = 5$	Q22	12
Q23	$2850 + 200 = 3050$	Q24	$54 \div 9 = 6$ $6 \times 2 = 12$ $54 - 12 = 42$
Q25	$\frac{43}{5} - \frac{86}{10}$ $= 8\frac{6}{10}$ Ans : 6	Q26	$250 \times 24 = 6000$
Q27	(a) West (b) 45	Q28	Garden
Q29		Q30	6548
Q31	$4302 \div 9 = 478$	Q32	$100 \div 8 = 13R4$ $12 + 1 = 13$
Q33	$90 - 64 = 26$ $26 \div 2 = 13$	Q34	(a) $EF \perp FG$ (b) $DG \parallel EF$

Q35	$\frac{1}{10} + \frac{1}{10} + \frac{6}{10} = \frac{8}{10}$ $= \frac{4}{5}$	Q36	$\frac{5}{6} - \frac{2}{9} = \frac{30}{36} - \frac{8}{36}$ $= \frac{22}{36}$ $= \frac{11}{18}$
Q37	<p>(a) <math>6000 \div 5 = \\$1200</math></p> <p>(b) <math>1200 \times 4 = 4800</math></p> <p><math>4800 - 1200 = \\$3600</math></p>	Q38	<p><math>1518 - 120 - 54 = 1344</math></p> <p><math>1344 \div 3 = 448</math></p>
Q39	<p>Multiple of 4 = 128, 132, 136</p> <p>Multiple of 6 = 126, 132, 138</p> <p>Common multiple = 132</p> <p>Ans : 132</p>	Q40	<p><math>121 - 66 - 15 = 40</math></p> <p><math>40 + 15 = 55</math></p> $\frac{55}{121} = \frac{5}{11}$
Q41	<p>(a) <math>\frac{11}{12} - \frac{1}{3} = \frac{11}{12} - \frac{4}{12}</math></p> $= \frac{7}{12} \ell$ <p>(b) <math>\frac{7}{12} + \frac{3}{4} = \frac{7}{12} + \frac{9}{12}</math></p> $= \frac{16}{12}$ $= 1 \frac{4}{12}$ $= 1 \frac{1}{3} \ell$	Q42	<p><math>300 + 300 = 600</math></p> <p><math>9630 - 600 = 9030</math></p> <p><math>9030 \div 7 = \\$1290</math></p>
Q43	<p>(a) <math>2928 \div 6 = 488</math></p> <p>(b) <math>2928 \div 4 = 732</math></p> <p><math>732 - 488 = 244</math></p>	Q44	<p><math>473 - 68 = 405</math></p> <p><math>405 \div 5 = 81</math></p> <p><math>81 \times 3 = 243</math></p>