



Anglo-Chinese School  
(Primary)

A Methodist Institution  
(Founded 1886)

2021 REVISION PAPER 2  
MATHEMATICS  
BOOKLET A  
PRIMARY THREE

Name: \_\_\_\_\_ (     )

Class: Primary 3 \_\_\_\_

Duration of Booklets A & B: 1 hour 45 minutes

**INSTRUCTIONS TO CANDIDATES**

1. This question paper consists of 9 printed pages, including the cover page.
2. Do not turn this page until you are told to do so.
3. Follow all instructions carefully.
4. Shade your answers on the Optical Answer Sheet (OAS) provided.



**Section A (10 x 2 marks each)**

For each of the following questions, four options are given. Choose the correct option and shade its oval (1, 2, 3 or 4) in the Optical Answer Sheet provided.

1.  $8000 + \boxed{?} + 30 + 6 = 8936$

What is the missing number in the box?

- (1) 9000
- (2) 900
- (3) 90
- (4) 9

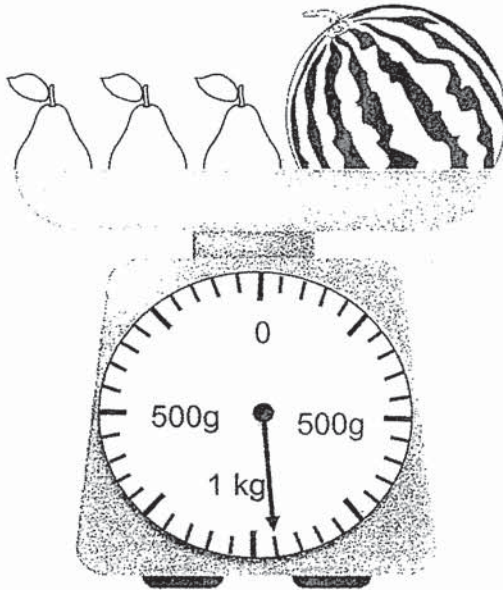
2. In 6759, the digit 5 is in the \_\_\_\_\_ place.

- (1) ones
- (2) tens
- (3) hundreds
- (4) thousands

3. Which pair of fractions are equivalent fractions?

- (1)  $\frac{1}{3}$  and  $\frac{3}{6}$
- (2)  $\frac{1}{4}$  and  $\frac{3}{8}$
- (3)  $\frac{1}{3}$  and  $\frac{3}{9}$
- (4)  $\frac{1}{5}$  and  $\frac{3}{10}$

4. The figure below shows 3 identical pears and a watermelon on a weighing scale. The mass of the pears is 360 g. What is the mass of the watermelon?

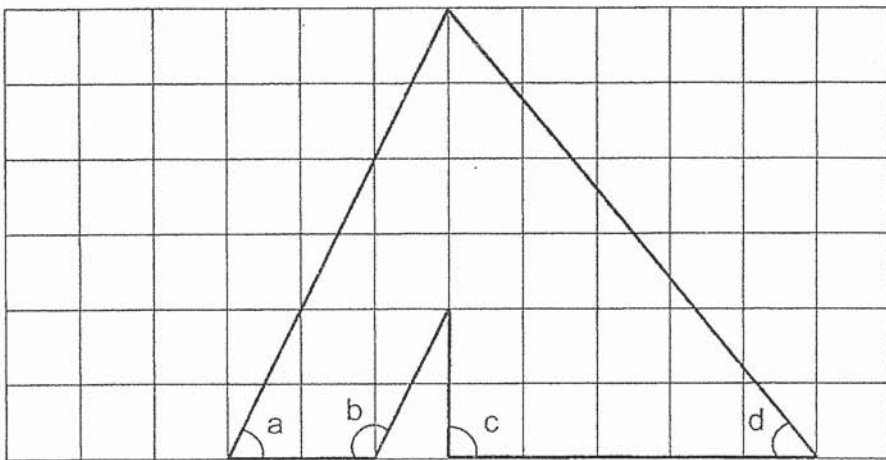


- (1) 360 g  
(2) 590 g  
(3) 950 g  
(4) 1310 g
5. George bought a file and 2 rulers for \$4.75. A ruler cost \$0.40. How much did George pay for the file?
- (1) \$3.95  
(2) \$4.15  
(3) \$4.35  
(4) \$5.15

6. A bookshop sold pencils in bundles of 6. After selling 8 bundles of pencils, there were 2 pencils left on the shelf. How many pencils were there in the bookshop at first?

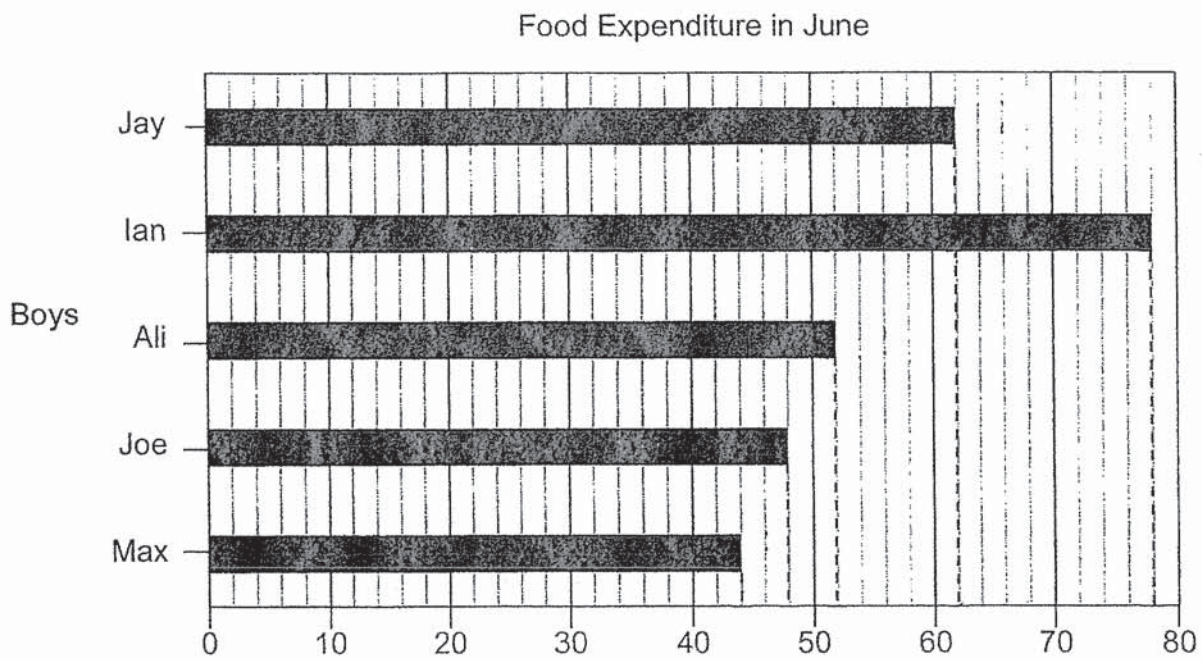
- (1) 22
- (2) 46
- (3) 48
- (4) 50

7. The figure below is not drawn to scale. Which of these angles is greater than the right angle?



- (1) angle a
- (2) angle b
- (3) angle c
- (4) angle d

8. The graph below shows the food expenditure of 5 boys in June.



Who are the 2 boys who spent a total of \$110 in June?

- (1) Max and Ali
- (2) Ali and Joe
- (3) Jay and Ian
- (4) Joe and Jay

9. There are 4 eggs in a tray. Emily bought 9 trays of eggs. How many eggs did she buy?

- (1) 13
- (2) 32
- (3) 36
- (4) 49

10. Cathy has 432 stamps.  
She has 24 more stamps than David.  
How many stamps do the children have in all?

- (1) 888
- (2) 840
- (3) 456
- (4) 408



Anglo-Chinese School  
(Primary)

A Methodist Institution  
(Founded 1886)

2021 REVISION PAPER 2  
MATHEMATICS  
BOOKLET B  
PRIMARY THREE

Name: \_\_\_\_\_ ( )

Class: Primary 3 \_\_\_\_

Duration of Booklets A & B: 1 hour 45 minutes

\_\_\_\_\_  
Parent's/Guardian's signature

**INSTRUCTIONS TO CANDIDATES**

1. This question paper consists of 18 printed pages, including the cover page.
2. Do not turn this page until you are told to do so.
3. Follow all instructions carefully.
4. Answer all questions.

Section	Maximum Marks	Marks Obtained
A. Multiple-Choice Questions	20	
B. Short Answers	38	
C. Problem Sums	22	
Total Marks	80	

**SECTION B - Short Answers (38 Marks)**

Questions 11 to 20 carry 1 mark each. Questions 21 to 34 carry 2 marks each.

Show all workings and mathematical statements clearly in the space below each question.

Write your answer in the space provided. Express your answers in the units stated and in its simplest form whenever possible.

11. Write 3840 in words.

Answer: \_\_\_\_\_

12. Arrange the following numbers from the smallest to the greatest.

1327	1237	1372	1273
------	------	------	------

Answer : \_\_\_\_\_ , \_\_\_\_\_ , \_\_\_\_\_ , \_\_\_\_\_  
smallest

13. Fill in the missing number.

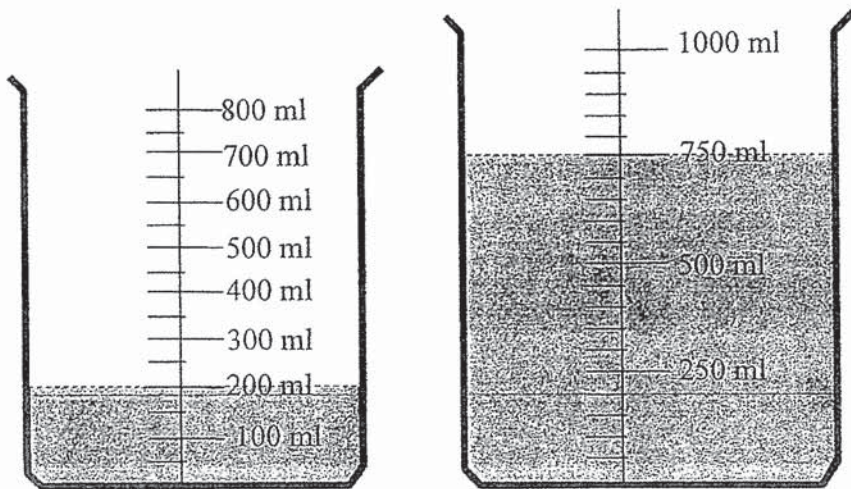
8040, 8190, 8340, 8490, \_\_\_\_\_, 8790, 8940

Answer : \_\_\_\_\_

14. Express 2 m 90 cm in centimetres.

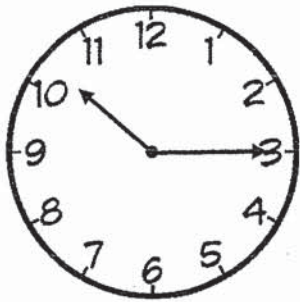
Answer : \_\_\_\_\_ cm

15. The figures below are not drawn to scale.  
Calculate the total amount of water in both beakers.



Answer : \_\_\_\_\_ ml

16. The time on the clock below is 20 minutes faster than the actual time.  
What is the actual time?

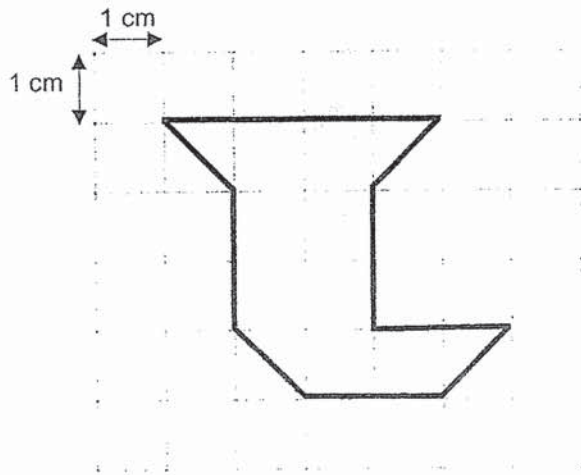


Answer : \_\_\_\_\_ a.m.

17. Express 3 h 35 min in minutes.

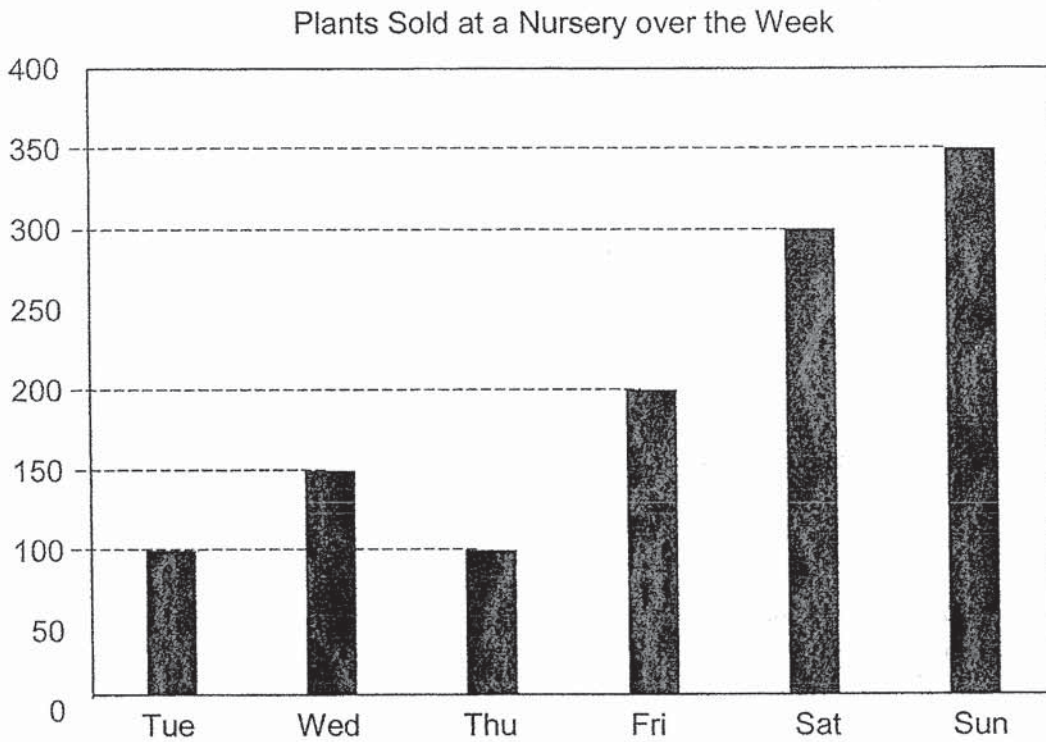
Answer : \_\_\_\_\_ min

18. Find the area of the figure below.



Answer : \_\_\_\_\_ cm<sup>2</sup>

The bar graph below shows the number of plants sold by Mrs Lim at a nursery from Tuesday to Sunday. Study the graph carefully and answer questions 19 and 20.



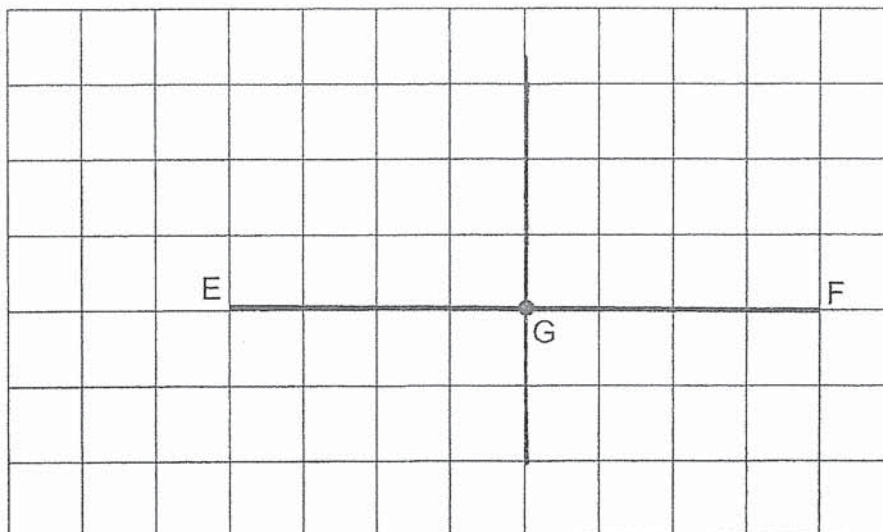
19. On which day did Mrs Lim sell the most number of plants?

Answer : \_\_\_\_\_

20. How many more plants were sold on Saturday than Wednesday?

Answer : \_\_\_\_\_

- 21 The figure below shows a straight line EF and point G.  
Draw a line perpendicular to EF and passes through point G.



22. Add  $\frac{1}{2}$  and  $\frac{3}{8}$ .

Answer : \_\_\_\_\_

23. Form the smallest 4-digit even number using all the digits shown in the cards below.



Answer : \_\_\_\_\_

24. Find the difference between 9750 and 3972.

Answer : \_\_\_\_\_

25. What is the quotient when 739 is divided by 4?

Answer : \_\_\_\_\_

26. Patsy collected some stamps. Kelly collected 5 times as many stamps as Patsy. The two girls collected 60 stamps altogether. How many stamps did Patsy collect?

Answer : \_\_\_\_\_

27. The table below shows the number of visitors to the zoo on Monday and Tuesday.

Day	Monday	Tuesday	Total
Number of visitors	1752	?	2520

How many visitors were at the zoo on Tuesday?

Answer : \_\_\_\_\_

28. Baker Ted baked 1386 chocolate tarts.  
He baked 675 fewer chocolate tarts than strawberry tarts.  
How many strawberry tarts did he bake?

Answer : \_\_\_\_\_

29. Mr Lee had some apples. After selling 280 apples, he had 2895 apples left.  
How many apples did he have at first?

Answer : \_\_\_\_\_

30. Arrange the following fractions in descending order

$$\frac{3}{10}, \frac{7}{10}, \frac{3}{5}$$

Answer : \_\_\_\_\_ , \_\_\_\_\_ , \_\_\_\_\_  
greatest

31. What is the missing denominator in the box?

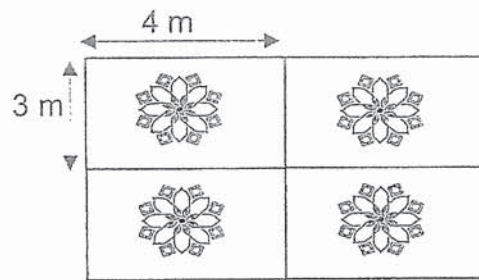
$$\frac{2}{3} = \frac{8}{\boxed{?}}$$

Answer : \_\_\_\_\_

32. Mavis bought a burger and a bowl of salad.  
The bowl of salad cost \$3.50.  
The burger cost \$2.00 more than the bowl of salad.  
How much did she pay in all?

Answer : \$ \_\_\_\_\_

33. Mr Ahmad used 4 similar rectangular carpets to cover the floor of his living room. Find the area of Mr Ahmad's living room.



Answer : \_\_\_\_\_ m<sup>2</sup>

34. Johnny walked 2 dogs per day. He was paid \$4.50 for walking each dog. How many days had Johnny walked the dogs if he earned \$180?

Answer : \_\_\_\_\_

**SECTION C - Problem Sums (22 Marks)**

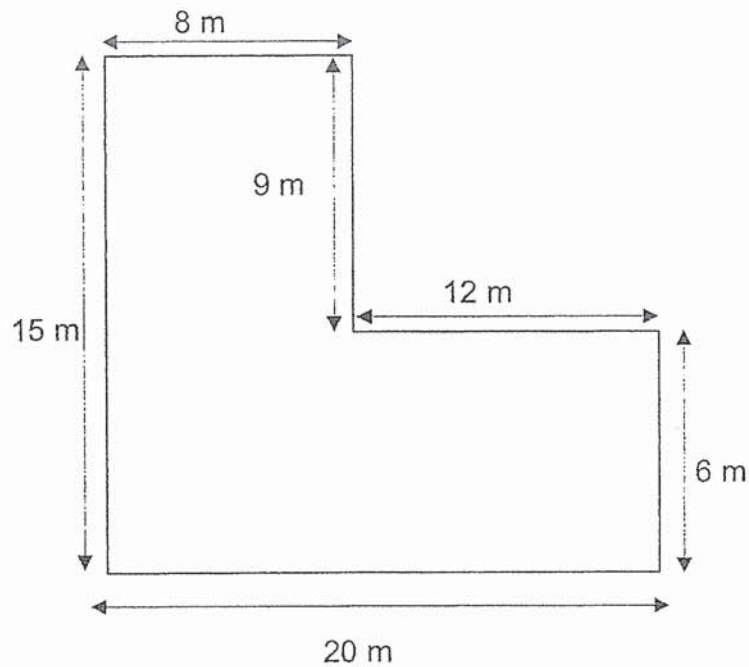
Questions 35 to 36 carry 3 marks each. Questions 37 to 40 carry 4 marks each. Show your working and mathematical statements clearly in the space below each question. All figures are not drawn to scale. Write your answer in the answer space provided. Express your answers in the units stated and in its simplest form whenever possible.

35. Alan, Bala and Chris had some cards  
Alan had 192 more cards than Bala.  
Bala had 75 fewer cards than Chris.  
If Chris had 308 cards, how many cards did Alan have?

Answer : \_\_\_\_\_ [ 3 ]

36. The figure shown below is a plot of land Mr Gan used for farming. He wants to build a fence around it.

- (a) Find the length of the fencing that Mr Gan needs.
- (b) If the cost of fencing his plot of land is \$2 per metre, how much must Mr Gan pay to fence up his plot of land?



Answer: (a) \_\_\_\_\_ [ 2 ]

(b) \_\_\_\_\_ [ 1 ]



37. Farmer Lim had a total of 615 green kiwi fruits and golden kiwi fruits.  
He had 2 times as many green kiwi fruits as golden kiwi fruits.

(a) Fill in the number of kiwi fruits that Farmer Lim had in the table provided. (2m)

Golden Kiwi fruits	Green Kiwi fruits
i)	ii)

- (b) Farmer Lim wanted to pack his kiwi fruits into boxes of 9.  
In each box, there must be 4 green kiwi fruits and 5 golden kiwi fruits.  
He packed all his golden kiwi fruits and had some green kiwi fruits left.  
How many green kiwi fruits were left unpacked?

Answer: (b) \_\_\_\_\_ [ 2 ]

38. A total of 1895 people attended a carnival. 768 of them were children while the rest were adults. There were same number of girls and boys at the carnival.
- (a) How many adults were there?
  - (b) After some girls left the carnival, there were 3 times as many boys as girls remained at the carnival. How many girls continued to stay on at the carnival?

Answer: (a) \_\_\_\_\_ [ 2 ]

(b) \_\_\_\_\_ [ 2 ]

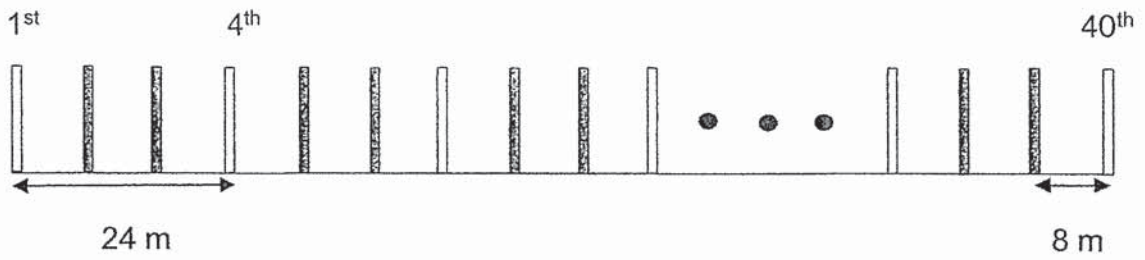
39. A seamstress sewed 2 dresses. She took 2 h 30 min to sew the first dress and finished sewing the first dress at 10.25 a.m.
- (a) What time did she start sewing the first dress?
- (b) She took 45 minutes more to sew the second dress than the first dress. How long did she take to sew the second dress?

Answer: (a) \_\_\_\_\_ [ 2 ]

(b) \_\_\_\_\_ [ 2 ]

40. There are 40 pillars along the building. The distance between the pillars are equal. The distance between the 1<sup>st</sup> and the 4<sup>th</sup> pillar is 24 m.

- (a) What is the distance between the first and the last pillar along the building?
- (b) There are 2 grey pillars in between 2 white pillars. How many grey pillars are there along the building?



Answer: (a) \_\_\_\_\_ [ 2 ]

(b) \_\_\_\_\_ [ 2 ]

**End-of-Paper**



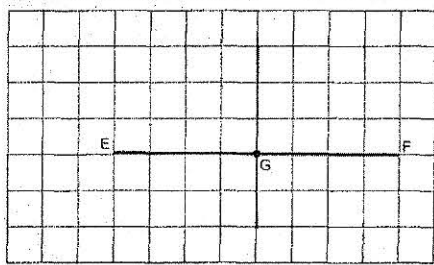
## ANSWER KEY

**YEAR** : 2021  
**LEVEL** : Primary 3  
**SCHOOL** : Anglo-Chinese School (Primary)  
**SUBJECT** : MATHEMATICS  
**TERM** : Revision Paper 2

### SECTION A (PAPER 1)

Q1	2	Q2	2	Q3	3	Q4	2	Q5	1
Q6	4	Q7	2	Q8	4	Q9	3	Q10	2

### SECTION B (PAPER 1)

Q11	Three thousand, eight hundred and forty	Q12	<del>1237, 1273, 1327, 1372</del>
Q13	8640	Q14	<del>296</del>
Q15	950	Q16	<del>9.55</del>
Q17	$180+35=215$	Q18	<del>10</del>
Q19	Sunday	Q20	<del><math>300-150=150</math></del>
Q21		Q22	<del>7</del> <del>8</del>
Q23	2096	Q24	<del><math>9750-3972=5778</math></del>
Q25	$739 \div 4=184$	Q26	<del><math>60 \div 6 = 10</math></del>
Q27	$2520-1752=768$	Q28	2061
Q29	$2895+280=3175$	Q30	$\frac{7}{10}, \frac{3}{5}, \frac{3}{10}$
Q31	$2 \times 4=8$ $3 \times 4=12$	Q32	$3.5+2.0=5.5$ $5.5+3.5=9$
Q33	$8 \times 6=48\text{m}^2$	Q34	$4.5 \times 2=9$ $180 \div 9=20$

### SECTION C (PAPER 1)

Q35	B, $308-75=233$ A= $233+192=425$ cards	Q36	(a) $20+15+12+8+6+9=70\text{m}$ (b) $70 \times 2= \$140$
-----	-------------------------------------------	-----	-------------------------------------------------------------

Q37	<p>(a) <math>615 \div 3 = 205</math></p> <table border="1" data-bbox="284 223 762 271"> <tr> <td data-bbox="284 223 523 271">i) 205</td> <td data-bbox="523 223 762 271">ii) <math>205 \times 2 = 410</math></td> </tr> </table> <p>(b) <math>205 \div 5 = 41</math> (no. of box)  <math>41 \times 4 = 164</math>  (no. of green kiwi packed)  <math>410 - 164 = 246</math> kiwis unpacked</p>	i) 205	ii) $205 \times 2 = 410$	Q38	<p>(a) <math>1895 - 768 = 1127</math> adults  (b) <math>768 \div 2 = 384</math>  <math>384 \div 3 = 128</math> girls</p>
i) 205	ii) $205 \times 2 = 410$				
Q39	<p>(a) 7.55a.m.  (b) <math>2\text{h}30\text{min} + 45\text{min} = 3\text{h}15\text{min}</math></p>	Q40	<p>(a) <math>8 \times 39 = 312</math> (39 intervals)  (b) <math>40 - 1 = 39</math>  <math>39 \div 3 = 13</math>  <math>13 \times 2 = 26</math> grey pillars</p>		