



Anglo-Chinese School
(Primary)

A Methodist Institution
(Founded 1886)

2021 REVISION PAPER 1
MATHEMATICS
BOOKLET A
PRIMARY THREE

Name: _____ () Class: Primary 3 ____

Duration of Booklets A & B: 1 hour 45 minutes

INSTRUCTIONS TO CANDIDATES

1. This question paper consists of 9 printed pages, including the cover page.
2. Do not turn this page until you are told to do so.
3. Follow all instructions carefully.
4. Shade your answers on the Optical Answer Sheet (OAS) provided.

Section A (10 x 2 marks each)

For each of the following questions, four options are given. Choose the correct option and shade its oval (1, 2, 3 or 4) in the Optical Answer Sheet provided.

1. In which of the following numbers does the digit 8 stands for 80?

- (1) 2382
- (2) 4895
- (3) 5918
- (4) 8012

2. Which of the following has the same value of 6209?

- (1) 6 thousands 2 hundred 9 tens
- (2) 6 thousands 200 tens 9 ones
- (3) 6 thousands 20 tens 9 ones
- (4) 6 thousands 29 tens

3. What is the missing number in the number pattern shown below?

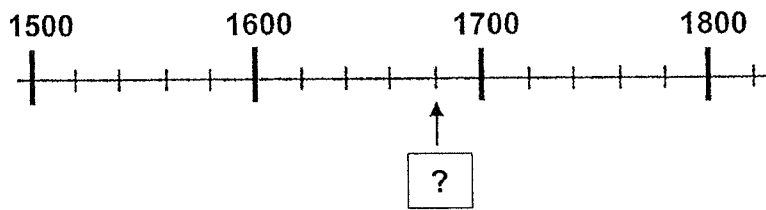
7280, 7180, 7080,

?

, 6880, 6780, 6680

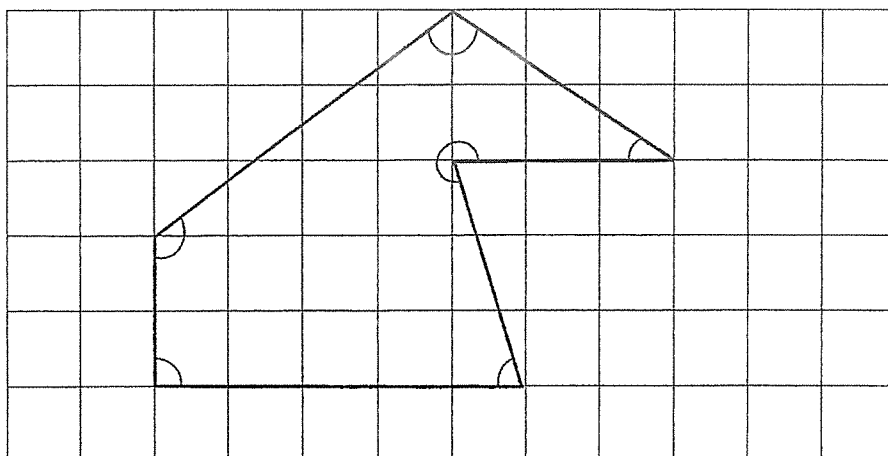
- (1) 7190
- (2) 7090
- (3) 6980
- (4) 6890

4. The number line below is marked at equal intervals.
What is the missing number indicated by the arrow on the number line?



- (1) 1640
(2) 1680
(3) 1690
(4) 1699
5. Find the product of 78 and 3.
- (1) 234
(2) 214
(3) 108
(4) 81
6. Find the quotient when 450 is divided by 2.
- (1) 205
(2) 225
(3) 448
(4) 452

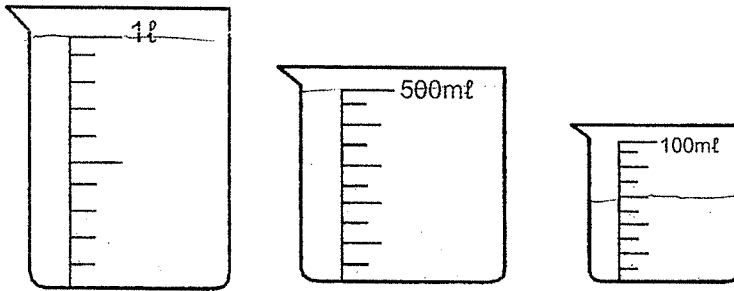
7. In the figure below, how many of the marked angles are smaller than a right angle?



- (1) 1
(2) 2
(3) 3
(4) 4
8. Which fraction is greater than $\frac{2}{3}$?

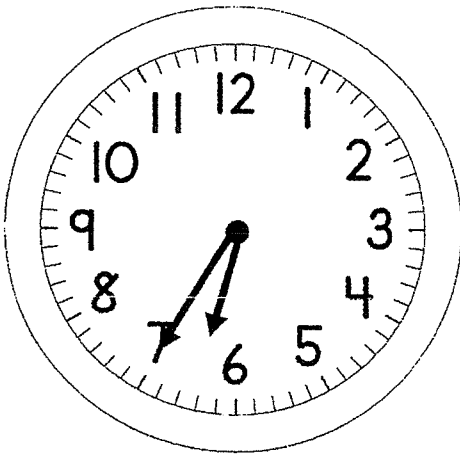
- (1) $\frac{5}{6}$
(2) $\frac{1}{2}$
(3) $\frac{4}{9}$
(4) $\frac{5}{12}$

9. In the figure below, what is the total volume of water in litres and millilitres?



- (1) 1 ℓ 600 mℓ
- (2) 1 ℓ 560 mℓ
- (3) 1 ℓ 506 mℓ
- (4) 1 ℓ 56 mℓ

10. What is the actual time on the clock?



- (1) half past 7
- (2) half past 8
- (3) 25 minutes to 7
- (4) 28 minutes to 8

END OF BOOKLET A



Anglo-Chinese School
(Primary)

A Methodist Institution
(Founded 1886)

2021 REVISION PAPER 1
MATHEMATICS
BOOKLET B
PRIMARY THREE

Name: _____ ()

Class: Primary 3 ____

Duration of Booklets A & B: 1 hour 45 minutes

Parent's/Guardian's signature

INSTRUCTIONS TO CANDIDATES

1. This question paper consists of **18** printed pages, including the cover page.
2. Do not turn this page until you are told to do so.
3. Follow all instructions carefully.
4. Answer all questions.

Section	Maximum Marks	Marks Obtained
A. Multiple-Choice Questions	20	
B. Short Answers	38	
C. Problem Sums	22	
Total Marks	80	

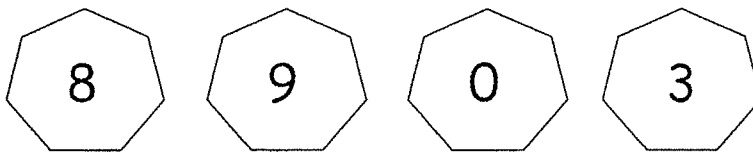
SECTION B - Short Answers (38 Marks)

Questions 11 to 20 carry 1 mark each. Questions 21 to 34 carry 2 marks each. Show all workings and mathematical statements clearly in the space below each question. Write your answer in the space provided. Express your answers in the units stated and in its simplest form whenever possible.

11. Write nine thousand and forty-three in numerals.

Answer: _____

12. Form the smallest 4-digit odd number using all the digits shown below.



Answer: _____

13. Find the difference between the values of the digit 4 in 4738 and 2461.

Answer: _____

14. Find the missing number in the box.

$$6732 - \boxed{?} = 3238$$

Answer: _____

15. Mrs Lim has 63 flowers.
She puts 7 flowers in each vase.
How many vases does she have?

Answer: _____

16. What is the missing fraction in the box?

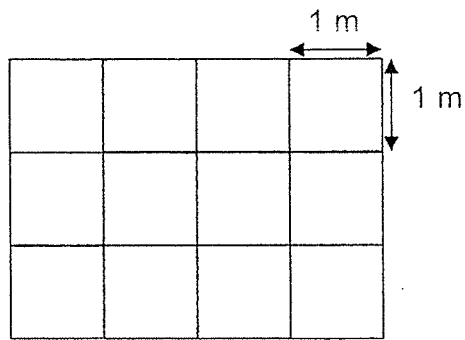
$$\boxed{?} - \frac{2}{5} = \frac{3}{10}$$

Answer: _____

17. Express 3 h 11 min in minutes.

Answer: _____ min

18. The figure below shows a floor covered with square tiles. Each square tile measures 1 m by 1 m. Find the area of the floor.



Answer: _____ m²

19. Find the remainder when 139 is divided by 6.

Answer: _____

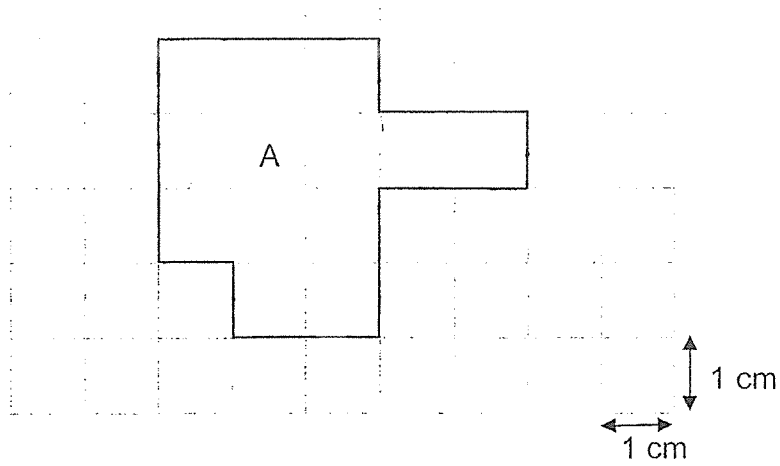
20. Find the sum of 4099 and 3925.

Answer: _____

21. Alex left his house to drive to the library at 11.55 a.m. He arrived at the library at 12.20 p.m. How long was his journey to the library?

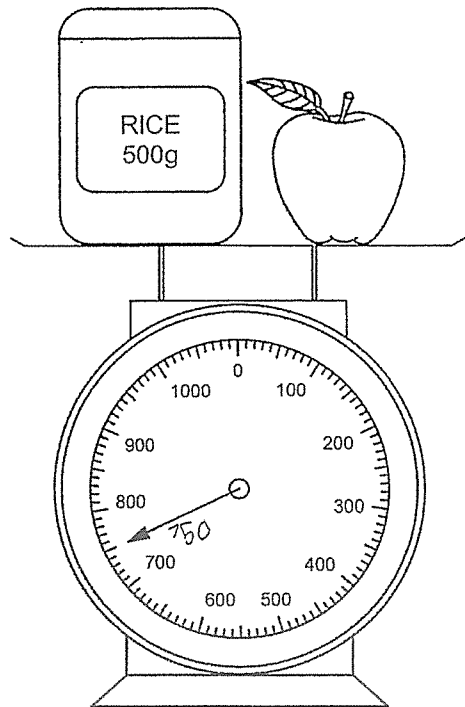
Answer: _____ min

22. Find the perimeter of Figure A.



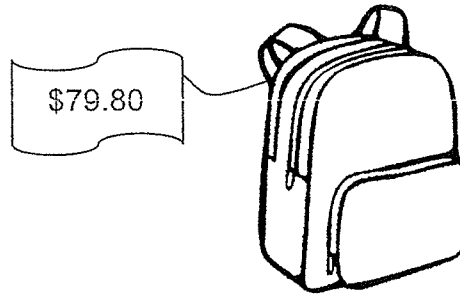
Answer: _____ cm

23. Find the mass of the apple.



Answer: _____ g

24. Dylan has \$55.90. How much more money does he need to buy the bag?



Answer: \$ _____

25. Lina bought 6 packets of marbles. There were 102 marbles in each packet. How many marbles were there altogether?

Answer: _____

26. Subtract 3 hundreds 29 ones from 4 thousands.

Answer: _____

27. What is the missing number in the box?

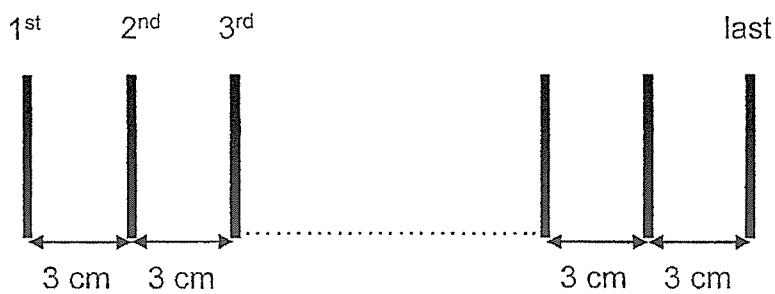
$$\begin{array}{r} 458 \\ \times \quad \boxed{?} \\ \hline 1832 \end{array}$$

Answer: _____

28. Subtract $\frac{1}{3}$ from $\frac{5}{12}$. Write the answer in its simplest form.

Answer: _____

29. Peter placed 12 markers on the table. The markers were placed 3 cm apart from each other. What was the distance between the 1st marker and the last marker?



Answer: _____ cm

30. Look at the two numbers below.

6985

6852

Each statement below is either true or false from the information given.
For each statement, put a tick (✓) in the correct column.

Statement	True	False
a) The smallest digit for both numbers is in the ones place.		
b) Both numbers have the digit 8 in the hundreds place.		

31. Mary has 4 times as many cards as Jerry.
Jerry has 128 cards.
How many cards does Mary have?

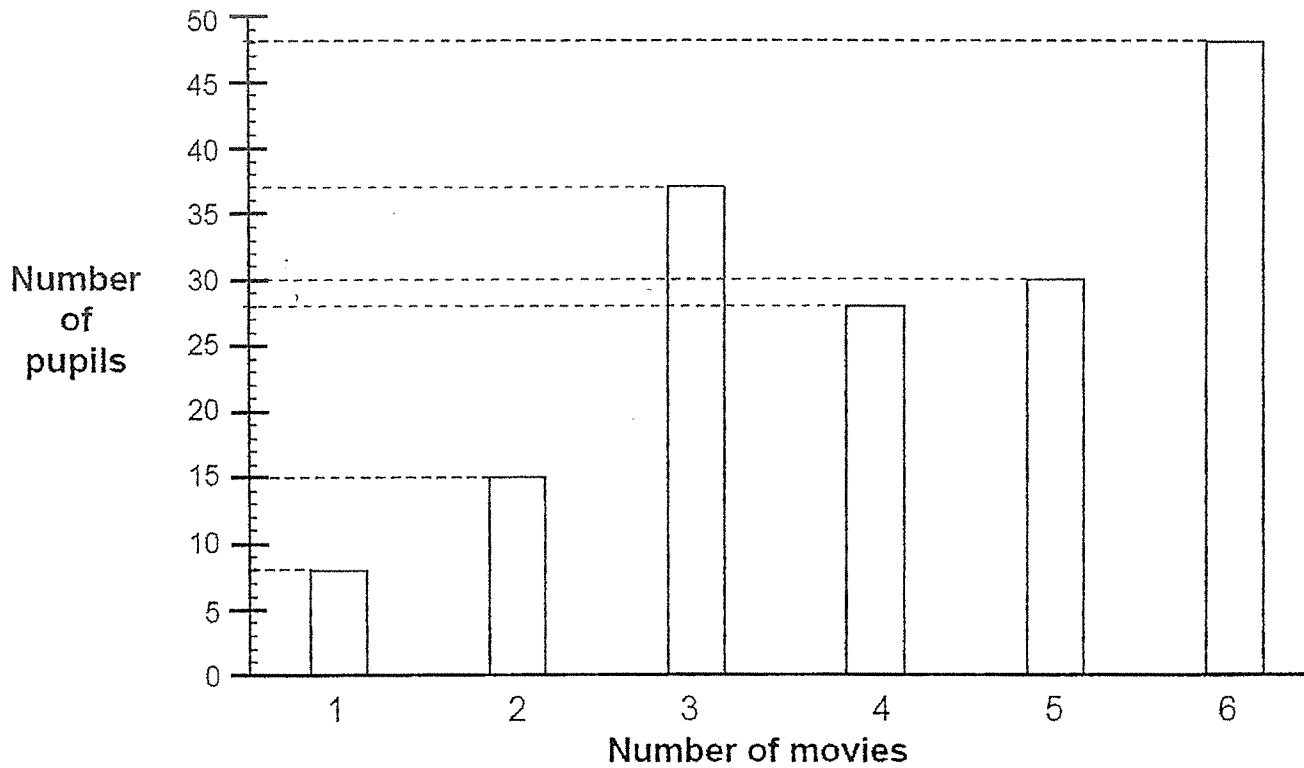
Answer: _____

32. Mother bakes 220 cupcakes. She packs them into boxes of 6.
What is the least number of boxes that she needs to pack all the cupcakes?

Answer: _____

The bar graph below shows the number of movies watched by pupils during the holidays. Study the graph below and answer Questions 33 and 34.

Movies Watched During Holidays



33. (a) The least number of pupils watched _____ movie/s during the holidays.
(b) How many pupils watched 3 movies?

Answer: (a) _____

(b) _____

34. How many pupils watched more than 4 movies?

Answer: _____

SECTION C - Problem Sums (22 Marks)

Questions 35 to 36 carry 3 marks each. Questions 37 to 40 carry 4 marks each. Show your working and mathematical statements clearly in the space below each question. All figures are not drawn to scale. Write your answer in the answer space provided. Express your answers in the units stated and in its simplest form whenever possible.

35. Farmer Bob collected 2850 strawberries from his orchard.
He threw away the rotten ones and sold 2345 of them.
He then had 108 strawberries left.
How many rotten strawberries did Farmer Bob throw away?

Answer: _____ [3]

36. Class 3J arrived at the Science Centre at 9.25 a.m. and went to the exhibition hall to view the exhibits. The class took 1 h 15 min to view the exhibits before watching a Science Show. The show lasted for 1 h 45 min.

- (a) What time did Class 3J finish viewing the exhibits?
- (b) How long did Class 3J spend at the Science Centre?

Answer: (a) _____ [1]

(b) _____ [2]

37. The price of a fan was \$95.60. During a sale, Mr Lim paid \$87.05 for the fan.

(a) How much money did he save during the sale?

(b) He received \$12.95 as change. How much money did he give the cashier?

Answer: (a) _____ [2]

(b) _____ [2]

38. Jane has 327 beads. She has 56 more beads than Susan.

(a) Jane packs her beads in packets of 9.
How many beads are left unpacked?

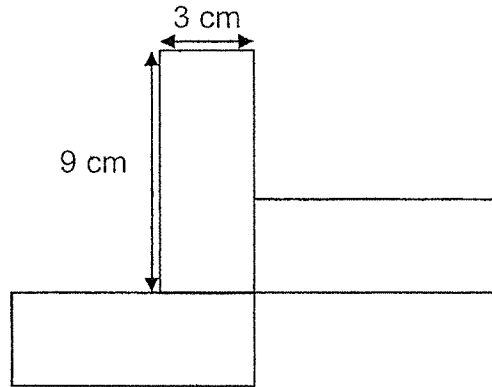
(b) How many beads must Jane give to Susan so that both of them
have the same number of beads?

Answer: (a) _____ [2]

(b) _____ [2]

39. The figure below is made up of 3 identical rectangles.

- (a) Find the area of 3 rectangles.
- (b) Find the perimeter of the figure.



Answer: (a) _____ [2]

(b) _____ [2]

40. Sam buys a bag of 8 marbles.

For every bag he buys, there are 3 red marbles and 5 blue marbles.

If he wants to buy 72 red and blue marbles, how many more blue marbles than red marbles will he have?

Answer: _____ [4]

END OF BOOKLET B

ANSWER KEY

YEAR : 2021
LEVEL : Primary 3
SCHOOL : Anglo-Chinese School (Primary)
SUBJECT : MATHEMATICS
TERM : Revision Paper 1

BOOKLET A

Q1	1	Q2	3	Q3	3	Q4	2	Q5	1
Q6	2	Q7	2	Q8	1	Q9	2	Q10	3

BOOKLET B

Q11	9043	Q12	3089
Q13	$4000-400=3600$	Q14	$6732-3238=3494$
Q15	$63 \div 7 = 9$	Q16	$\frac{4}{10} + \frac{3}{10} = \frac{7}{10}$
Q17	$3h = 180min$ $180+11=191$	Q18	$3 \times 4 = 12$
Q19	$139 \div 6 = 23R1$ Ans : 1	Q20	$4099+3925=8024$
Q21	25	Q22	18
Q23	$750-500=250$	Q24	$79.80-55.90=23.90$
Q25	$102 \times 6 = 612$	Q26	$4000-329=3671$
Q27	$1832 \div 458 = 4$	Q28	$\frac{1}{3} = \frac{4}{12}$ $\frac{5}{12} - \frac{4}{12} = \frac{1}{12}$
Q29	$3 \times 11 = 33$	Q30	(a) True (b) False
Q31	$128 \times 4 = 512$	Q32	$220 \div 6 = 36R4$ $36+1=37$
Q33	(a) 8 (b) 37	Q34	$30+48=78$
Q35	$2850-2345=505$ $505-108=397$	Q36	(a) 10.40 am (b) $1h\ 15 + 1h\ 45min = 3h$
Q37	(a) $95.60-87.05=\$8.55$ (b) $87.05+12.95=\$100$	Q38	(a) $327 \div 9 = 36R3$ Ans : 3 (b) $56 \div 2 = 28$
Q39	(a) $3 \times 9 = 27$ $27 \times 3 = 81cm^2$ (b) $9+3+9+9+3+9+6=60cm$	Q40	$72 \div 8 = 9$ $9 \times 5 = 45$ $9 \times 3 = 27$ $45-27=18$