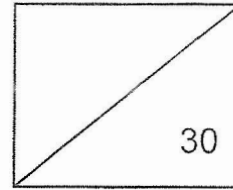


Parent's signature: _____

Date: _____



Anglo-Chinese School
(Primary)

A Methodist Institution
(Founded 1886)

Mathematics

Quiz 3

Topic: Whole numbers, Area & Perimeter, Angles & Measurements

Name: _____ () Class: Pr 3 ___ Date: _____

Section A: Multiple Choice Questions (4 x 2m each)

Choose the correct answer and write its number in the brackets provided.

1. Which of the following adds up to the greatest odd number?

(1) $900 + 80 + 9$

(2) $900 + 91 + 6$

(3) $900 + 93 + 5$

(4) $900 + 51 + 49$

()

2. 5 thousands, 4 tens and 25 ones is the same as _____.

(1) 5 650

(2) 5 605

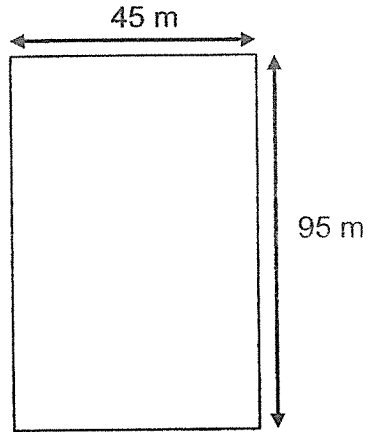
(3) 5 425

(4) 5 065

()



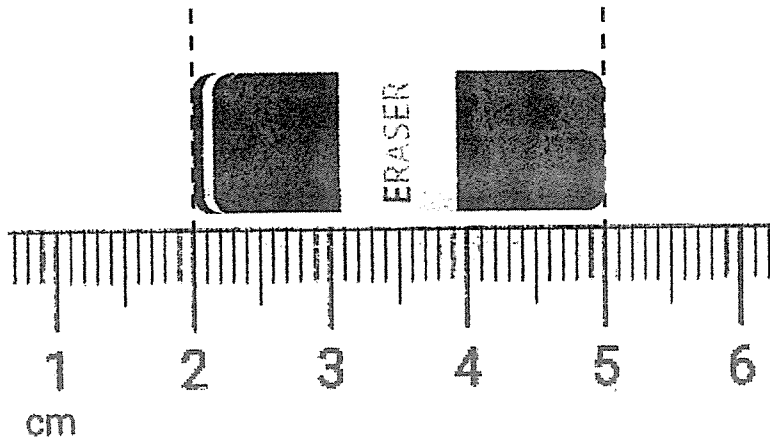
3. The length of a rectangular field is 95 m. Its breadth is 45 m. Pete ran along the path of the field twice. What is the total distance that Pete ran?



- (1) 140 m
- (2) 280 m
- (3) 560 m
- (4) 4 275 m

()

4. What is the length of the eraser?



- (1) 5 cm
- (2) 7 cm
- (3) 3 cm
- (4) 4 cm

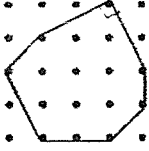
()

Section B: Short Answer Questions (5 x 2m each)

Questions 5 to 9 carry 2 marks each. Write your answers in the spaces provided.

5. Caden used a rubber band to form a shape.

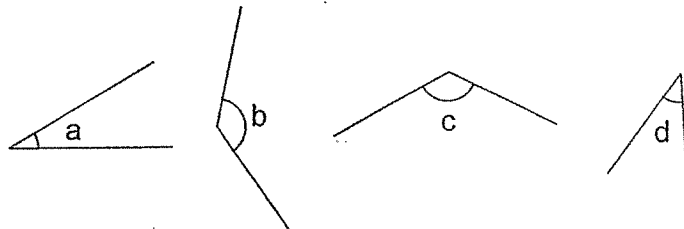
How many sides and right angles does the shape have?

Shape	Numbers of sides	Numbers of right angles
		

Answer: Number of sides: _____

Number of right angles: _____

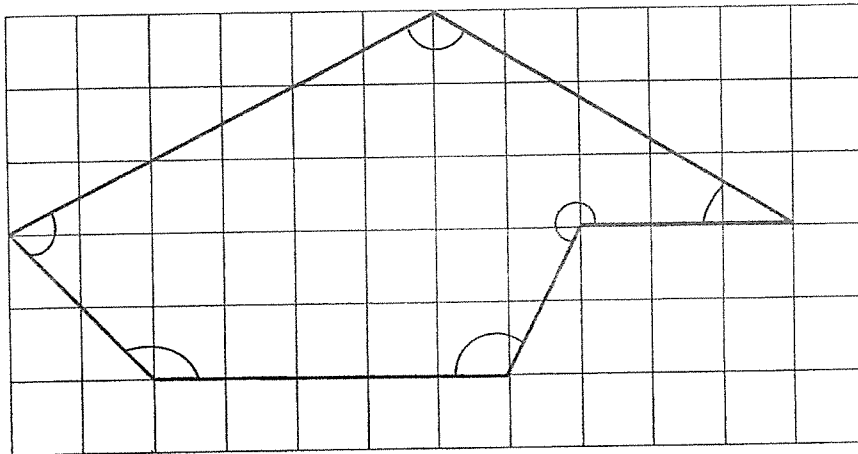
6. (a) Which angles are acute?
 (b) Which angles are obtuse?



Answer: (a) Angles _____ and _____

(b) Angles _____ and _____

7. Study the diagram below carefully and answer the following questions.



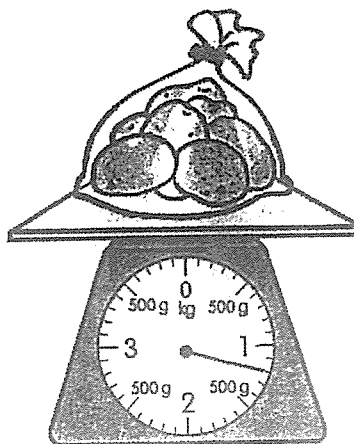
(a) In the figure above, how many of the marked angles are greater than a right angle?

Answer : _____

(b) In the figure above, how many of the marked angles are smaller than right angle?

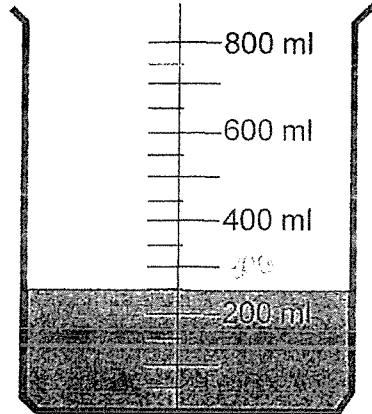
Answer : _____

8. (a) What is the mass of the bag of potatoes? Express your answer in kilograms and grams.



Answer: _____ kg _____ g

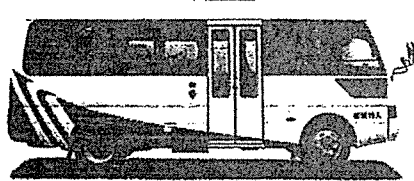
- (b) The figures below are not drawn to scale.
What is the volume of water in the beaker?



Answer: _____ ml

9. Fill in each box with cm or m.

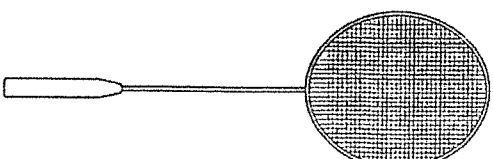
(a)



The length of the mini bus about 10 _____ .

Answer: _____

(b)



The length of the badminton racket is about 67 _____ .

Answer: _____

Section C: Problem Sums (4 x 3m each)

For questions 10 to 13, show your equations and workings clearly in the space provided below each question and write your answers in the underlined spaces provided. The number of marks available are shown in the brackets [] at the end of each question.

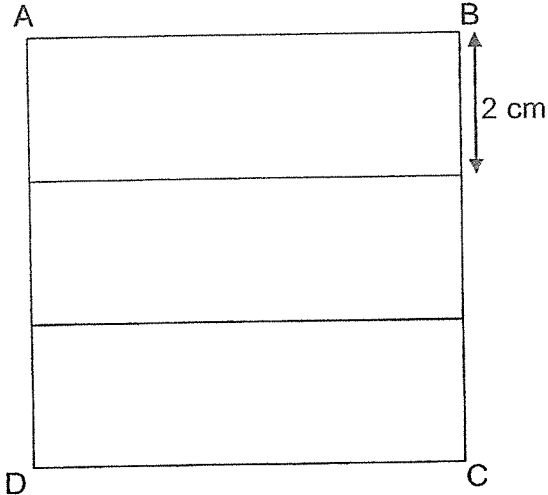
10. Mr Tan had 1 740 apples. He bought another 602 apples. After selling some apples, Mr Tan had 805 apples left. How many apples did Mr Tan sell?

Answer: _____ [3]

11. Peter and Andrew delivered a total of 160 pizzas. For every 5 pizzas that Peter delivered, Andrew delivered 3 pizzas. How many pizzas did Peter deliver?

Answer: _____ [3]

12. The following figure ABCD is a square and it is made up of 3 identical rectangles. The breadth of each rectangle is 2 cm. What is the area of the square ABCD?



Answer: _____ [3]

13. David had a piece of ribbon 200 cm long. He cut the ribbon into 4 equal pieces and had 48 cm left. What is the length of each of the 4 pieces of ribbon?

Answer: _____ [3]

End-of-Paper

ANSWER KEY

YEAR : 2021
LEVEL : Primary 3
SCHOOL : Anglo-Chinese School (Primary)
SUBJECT : MATHEMATICS
TERM : Quiz 3

Section A

Q1	2	Q2	4	Q3	3	Q4	3
----	---	----	---	----	---	----	---

Section B

Q5	Number of sides : 7 Number of right angles : 1	Q6	(a) Angles A and D (b) Angles B and C
Q7	(a) 4 (b) 2	Q8	(a) 1 kg 200 g (b) 250ml
Q9	(a) m (b) cm	Q10	$1740+602-2342$ $2342-805=1537$
Q11	$160 \div 8 = 20$ $20 \times 5 = 100$	Q12	$6 \times 6 = 36\text{cm}^2$
Q13	$200-48=152$ $152 \div 4 = 38\text{cm}$		

1
END