



NAN HUA PRIMARY SCHOOL
CONTINUAL ASSESSMENT 2 – 2015
PRIMARY 5

MATHEMATICS

Paper 1

Section A: 15 Multiple Choice Questions (20 marks)

Section B: 15 Short Answer Questions (20 marks)

Total Time for Paper 1: 50 minutes

INSTRUCTION TO CANDIDATES

1. Write your name and index number in the space provided.
2. Do not turn over the page until you are told to do so.
3. Follow all instructions carefully.
4. Answer all questions.
5. Shade your answers in the Optical Answer Sheet (OAS) provided for Questions 1-15.
6. You are not allowed to use the calculator for Paper 1.

Marks Obtained

Paper 1	Booklet A		/ 40
	Booklet B		
Paper 2			/ 60
Total			/ 100

Name : _____ ()

Class : 5 _____

Date : 19 Aug 2015 Parent's Signature: _____

Section A

Questions 1 to 10 carry 1 mark each. Questions 11 to 15 carry 2 marks each.
For each question, four options are given. One of them is the correct answer.
Make your choice and shade your answer (1, 2, 3 or 4) on the Optical Answer Sheet.
(20 marks)

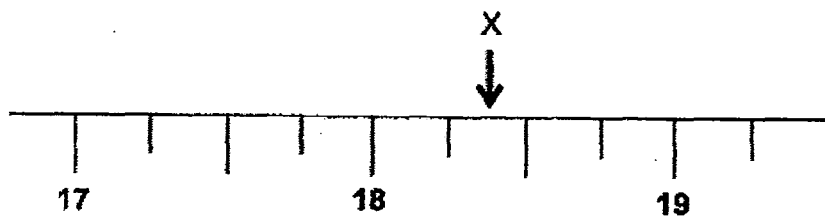
1. Round off 543 090 to the nearest thousand.

- (1) 500 000
- (2) 540 000
- (3) 543 000
- (4) 544 000

2. Express 2030 cm in metres.

- (1) 2.3 m
- (2) 2.03 m
- (3) 20.3 m
- (4) 203 m

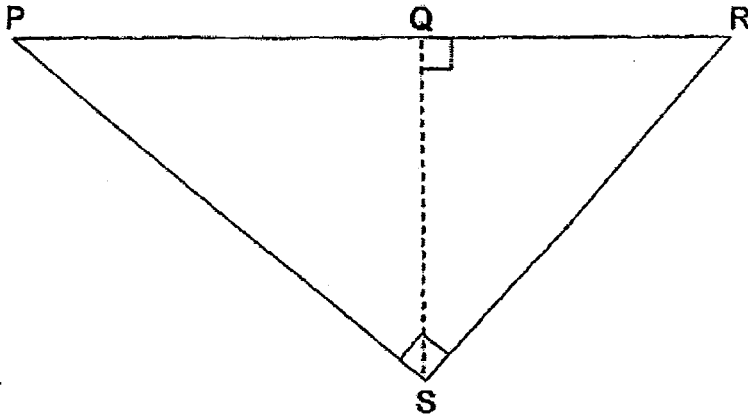
3. In the number line below, what is a possible value of X as indicated by the arrow?



- (1) 18.15
- (2) 18.20
- (3) 18.35
- (4) 18.50

4. The value of 1.11×80 is _____.
- (1) 8.88
 - (2) 88.8
 - (3) 888
 - (4) 8880
5. Express $2\frac{3}{4}$ as a decimal and round it off to 1 decimal place.
- (1) 2.3
 - (2) 2.4
 - (3) 2.7
 - (4) 2.8
6. There were 56 beads in a box. 7 of them were red beads while the rest of them were green beads. What is the ratio of red beads to green beads to the total number of beads in simplest form?
- (1) 1 : 7 : 8
 - (2) 1 : 7 : 9
 - (3) 7 : 1 : 9
 - (4) 8 : 7 : 1
7. Marie had \$100. She spent \$15 on some books and \$25 on clothes. What percentage of her money did she have left?
- (1) 10%
 - (2) 40%
 - (3) 60%
 - (4) 90%

8. Which of the following **cannot** be the height of triangle PRS?



- (1) PR
- (2) SR
- (3) PS
- (4) QS

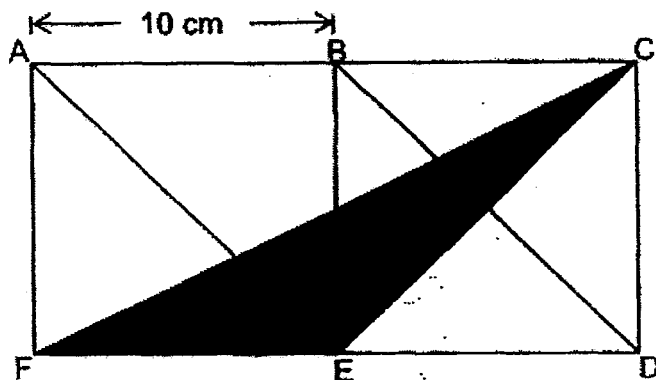
9. What is 30 minutes expressed as a percentage of 2 hours?

- (1) 15%
- (2) 25%
- (3) 60%
- (4) 90%

10. Ahmad is facing West now. He makes a $\frac{3}{4}$ -turn in the clockwise direction. In which direction will he be facing in the end?

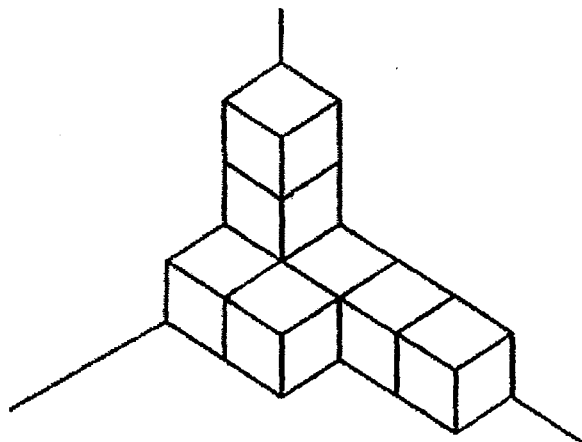
- (1) North
- (2) South
- (3) North-East
- (4) South-East

11. The figure below is made up of two identical squares ABEF and BCDE. Given that $AB = 10$ cm, what is the area of all the shaded parts?



- (1) 25 cm^2
 (2) 50 cm^2
 (3) 75 cm^2
 (4) 100 cm^2
12. $\frac{2}{5}$ of a jug was filled with orange juice. The orange juice from the jug was then poured into an empty cup and $\frac{6}{7}$ of the cup was filled. What was the ratio of the capacity of the jug to the capacity of the cup?
- (1) 5 : 7
 (2) 7 : 5
 (3) 7 : 15
 (4) 15 : 7

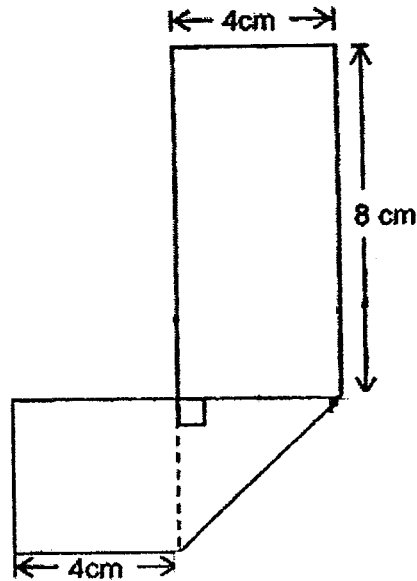
13. The figure is made up of 1-cm cubes.



How many **more** cubes must be added to the figure to get a volume of 14 cm^3 ?

- (1) 5
- (2) 6
- (3) 7
- (4) 8

14. A rectangular piece of paper is folded to form the shape below.



What is the area of the rectangular piece of paper before it was folded?

- (1) 24 cm^2
(2) 40 cm^2
(3) 48 cm^2
(4) 64 cm^2
15. Mrs Tan baked some cookies. She gave 10 of them to her neighbour and kept $\frac{4}{9}$ of the remaining cookies in a jar. She found that she had 25 cookies left. Express the number of cookies kept in the jar as a fraction of the total number of cookies.

(1) $\frac{4}{7}$

(2) $\frac{4}{11}$

(3) $\frac{5}{7}$

(4) $\frac{7}{11}$

Section B

Questions 16 to 25 carry 1 mark each. Write your answer in the spaces provided. For questions which require units, give your answers in the units stated. (10 marks)

16. Find the remainder of $725 \div 9$?

Ans: _____

17. Express $\frac{1}{5}$ kg in grams.

Ans: _____ g

18. How many quarters are there in $5\frac{1}{2}$?

Ans: _____

19. What is the missing number in the box?

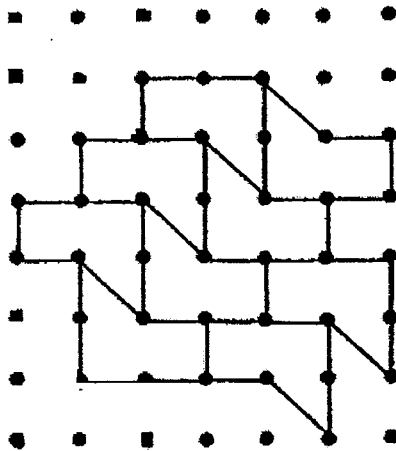
$$50 \times 26 = \boxed{?} \times 13$$

Ans: _____

20. What is the smallest whole number that does not leave a remainder when divided by 6 and 8?

Ans: _____

21. Extend the tessellation below by drawing 2 more unit shapes.



22. What is the missing fraction in the box below? Give your answer in the simplest form.

$$\frac{5}{8} + 10 = \boxed{?}$$

Ans: _____



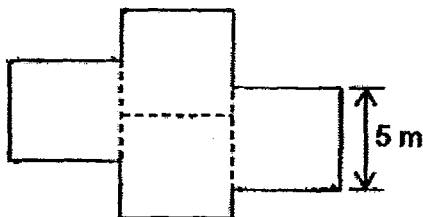
23. There are 12 red balloons and twice as many green balloons in a party. If 10 green balloons are burst, find the ratio of the remaining number of green balloons to that of red balloons. Give your answer in the simplest form.

Ans: _____

24. Fill in the three boxes below with the numbers 3, 4 and 6, to give the largest possible answer to the expression. (Each number can only be used once.)

$$\left(\square + \square \right) \times \square = \text{Largest possible answer}$$

25. The figure below is made up of four identical squares. What is the perimeter of the figure?



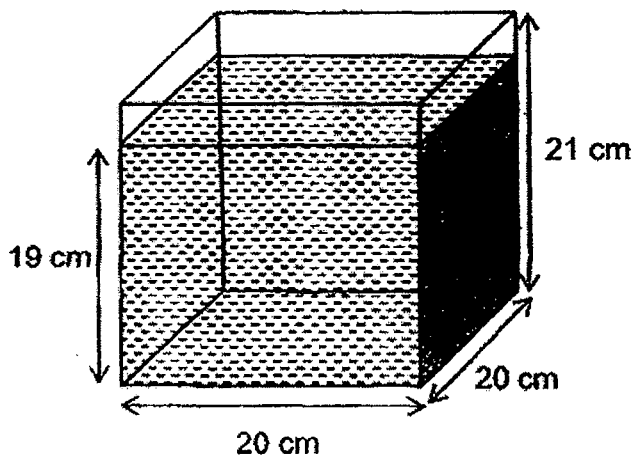
Ans: _____ m



Questions 26 to 30 carry 2 marks each. Show your working clearly and write your answers in the spaces provided. For questions which require units, give your answers in the units stated. (10 marks)

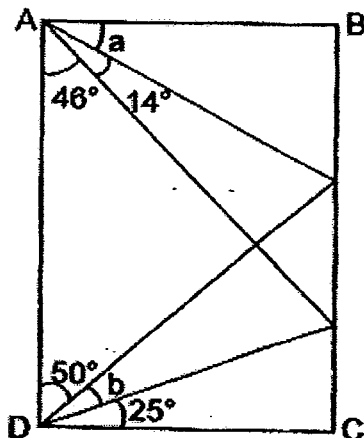
Do not write in this space

26. A container with a square base of side 20 cm, has a height of 21 cm. It is filled with water to a height of 19 cm. How much more water must be added to fill the container completely?



Ans: _____ cm³

27. The diagram shows a rectangle ABCD, which is not drawn to scale. Find the value of $\angle a + \angle b$.



Ans: _____ °

28. In Class 5M, $\frac{1}{2}$ of the number of boys is equal to $\frac{2}{3}$ of the number of girls in class. Find the ratio of the total number of girls to the total number of boys in the class.

Do not wr
in this spc

Ans: _____

29. Mrs Bala placed some beans in a container. 24% of the beans are red, 28% of the beans are green and the rest are black. If there are 15 more black beans than green beans, how many beans are there in the container altogether?

Ans: _____

30. A storybook begins from page 1 to page 33. How many times does the digit '2' appear on all the page numbers?

Do not write
in this space

Ans: _____

END OF PAPER 1





**NAN HUA PRIMARY SCHOOL
CONTINUAL ASSESSMENT 2 – 2015
PRIMARY 5**

MATHEMATICS

Paper 2

Total Time for Paper 2: 1 hour 40 minutes

5 Short Answer Questions (10 marks)

13 Structured / Long Answer Questions (50 marks)

INSTRUCTION TO CANDIDATES

- 1. Write your name and index number in the space provided.**
- 2. Do not turn over the page until you are told to do so.**
- 3. Follow all instructions carefully**
- 4. Answer all questions and show your workings clearly.**
- 5. You are allowed to use a calculator.**

Marks Obtained

Total		/ 60
--------------	--	-------------

Name : _____ ()

Class : 5 _____

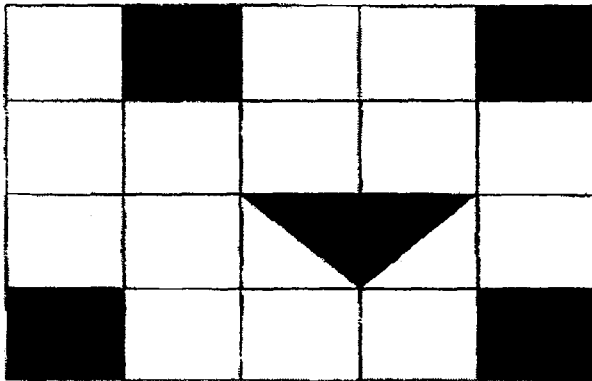
Date : 19 Aug 2015

Paper 2

Questions 1 to 5 carry 2 marks each. Show your working clearly and write your answers in the spaces provided. For questions which require units, give your answers in the units stated. (10 marks)

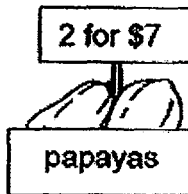
Do not write in this space

1. What fraction of the figure below is shaded? Give your answer in the simplest form.



Ans: _____

2. Guo Liang paid \$56 for some papayas. How many papayas did he buy?



Ans: _____

3. A cube has a base area of 64 m^2 . Find its volume.

Ans: _____ m^3

4. Mrs Toh had some eggs. She bought another 87 eggs and then distributed all the eggs equally onto 9 trays. In the end, there were 11 eggs on each tray. How many eggs had Mrs Toh at first?

Do not write
in this space

Ans: _____

5. Mei Ling has the same number of 20¢ coins and 50¢ coins in her purse. The total value of all her coins is \$7. How many coins does Mei Ling have altogether?

Ans: _____

For questions 6 to 18, show your working clearly and write your answers in the spaces provided. The number of marks available is shown in brackets [] at the end of each question or part-question. (50 marks)

Do not write
in this space

6. Muthu's height is $\frac{5}{6}$ of Carol's height. If Carol's height is 132 cm, what is Muthu's height?

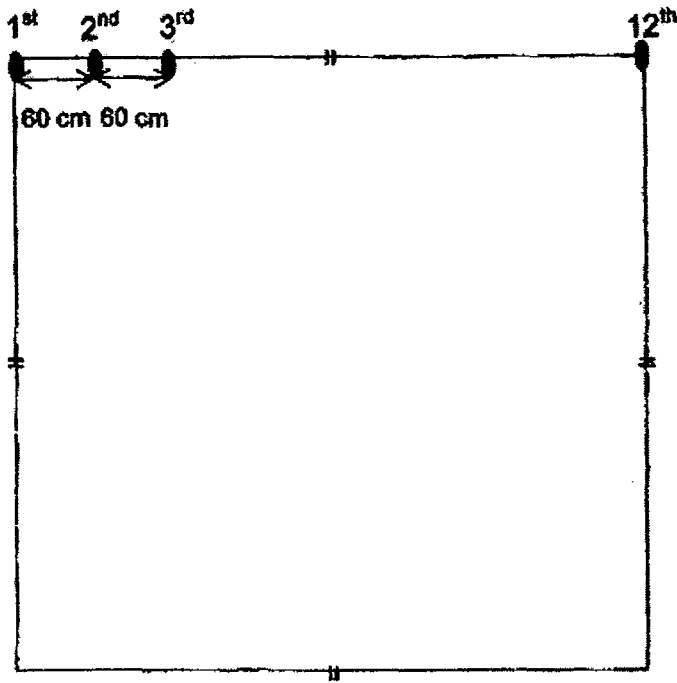
Ans: _____ [3]

7. B represents a whole number. $\frac{1}{4}$ of B is lesser than twice of B by 42. What is the value of B?

Ans: _____ [3]

Do not write
in this space

8. The diagram below, not drawn to scale, shows a square garden.



A gardener planted 12 sunflower seeds along one length of the garden. Each seed is 60 cm apart. Find the perimeter of the garden.

Ans: _____ [3]

9. Jolene bought some identical books and identical pens. Each book cost three times as much as a pen. She spent $\frac{2}{3}$ of her money on the pens and the remaining money on 2 books. How many pens did Jolene buy altogether?

Do not write in this space

Ans: _____ [3]

10. At a childcare centre, each child's body temperature was taken and recorded in the table below.

Body temperature (°C)	35	36	37	38
Number of children	4	9	12	5

- (a) How many children had a temperature of more than 36°C?
(b) 5 children were sent home due to fever. What fraction of all the children remained in the centre? Give your answer in the simplest form.

Ans: (a) _____ [1]

(b) _____ [2]

11. Yannie poured some oil into a tank containing some water. As a result, the oil made up 24% of the mixture. If there were 19 litres of water, what was the total volume of liquid in the tank in the end?

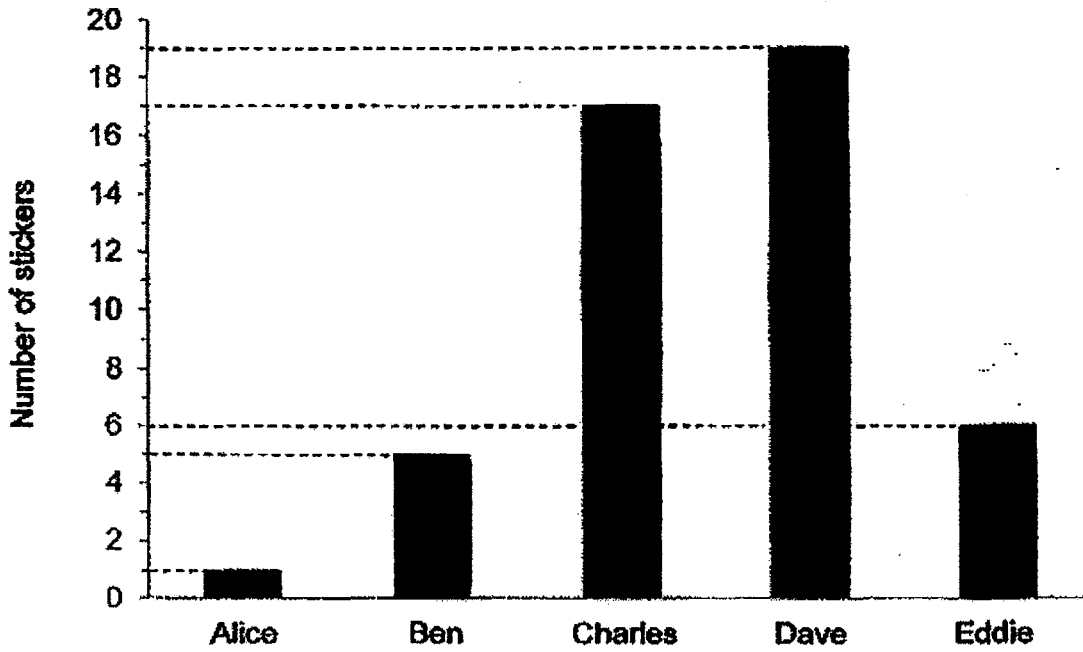
Do not write
in this space

Ans: _____ [3]



12. The graph below shows the number of stickers owned by 5 friends.

Do not write
in this space



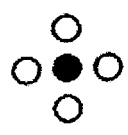
- (a) What is the total number of stickers owned by the 5 friends?
- (b) What percentage of all the stickers are owned by Eddie?
(Give your answer to the nearest whole number.)

Ans: (a) _____ [2]

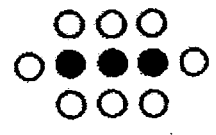
(b) _____ [2]

13. The following figures are made up of black and white dots.

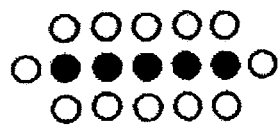
Do not write
in this space



Pattern 1



Pattern 2



Pattern 3

(a) Study the pattern above carefully and fill in (i) and (ii) in the table below. [2]

Pattern number	Number of black dots	Number of white dots
1	1	4
2	3	8
3	5	12
⋮	⋮	⋮
6	(i) _____	(ii) _____

(b) In a certain pattern number, the difference between the number of white dots and the number of black dots is 19. Which pattern number is it?

Ans: _____ [2]



14. Sue made some cupcakes to give to some cousins.
If she gave 6 cupcakes to each cousin, she would have 4 cupcakes left.
If she gave 9 cupcakes to each cousin, she would need 11 more cupcakes.

- (a) How many cousins did Sue have?
(b) How many cupcakes did Sue make?

Do not write
in this space

Ans: (a) _____ [2]
(b) _____ [2]



15. Mr Siva bought a plate of chicken cutlet with $\frac{3}{8}$ of his money. He spent half of the remaining money on a glass of fruit juice.

- (a) What fraction of his money did he spend on the glass of fruit juice?
- (b) If Mr Siva had \$5.25 left, how much did he have at first?

Do not write
in this space

Ans: (a) _____ [2]

(b) _____ [3]

Do not write
in this space

16. Kenny, Liling and Minah were each given the same number of funfair tickets to sell on Saturday. Kenny managed to sell all his tickets.

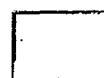
The ratio of the number of funfair tickets sold that day by Minah to Liling to Kenny was 4 : 7 : 8.

(a) Given that Minah had 84 tickets left, how many funfair tickets did Liling sell?

(b) What was the total number of funfair tickets given to the 3 children to sell?

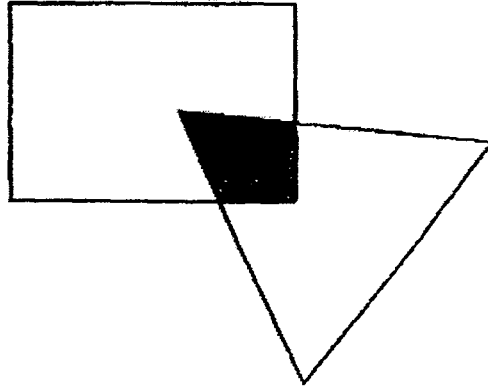
Ans: (a) _____ [2]

(b) _____ [3]



17. The figure below is made up of a triangle overlapping a rectangle. The ratio of the shaded part to the unshaded part of the triangle is 3 : 8. The ratio of the shaded part to the unshaded part of the rectangle is 4 : 11. If the area of triangle is 484 m^2 , what is the area of the figure?

Do not write
in this space

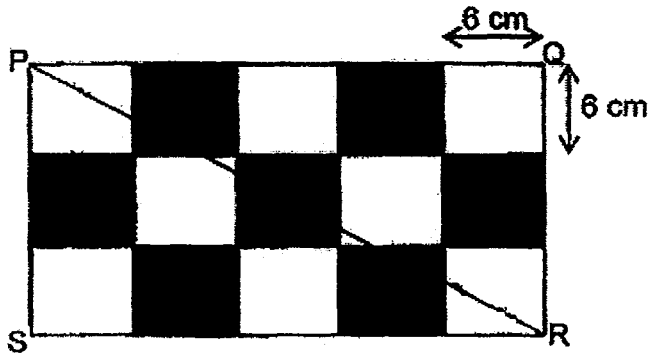


Ans: _____ [5]



18. Rectangle PQRS is made up of identical 6 cm by 6 cm squares. PR is a straight line.

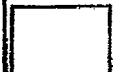
Do not write
in this space.



- (a) Find the difference in area between the shaded and unshaded parts in triangle PQR.
- (b) An equal number of shaded and unshaded squares are removed from rectangle PQRS. In the end, the ratio of the shaded area to the total remaining area is 2 : 5. Find the total removed area.

Ans: (a) _____ [2]

(b) _____ [3]



END OF PAPER 2

**NAN HUA PRIMARY SCHOOL
CONTINUAL ASSESSMENT 2 - 2015
PRIMARY 5 MATHEMATICS
PAPER 1**

- 1) 3 2) 3 3) 3 4) 2 5) 4 6) 1 7) 3 8) 1 9) 2
10) 2 11) 2 12) 4 13) 2 14) 4 15) 2

16) 5

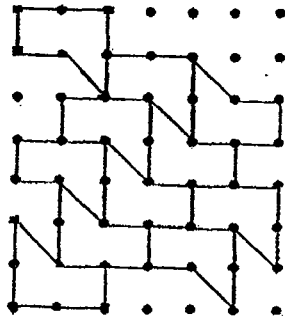
17) 200 g

18) $5/1/2 \div 1/4 = 22$

19) $50 \times 2 = 100$

20) 24

21)



22) $1/16$

23) 7 : 6

24) $(3+4) \times 6 =$ Largest possible answer

25) $(10+15) \times 2 = 50$ m

26) $20 \times 20 \times 2 = 800$ cubic cm

27) $180^\circ - 50^\circ - 25^\circ - 46^\circ - 14^\circ = 45^\circ$

28) $1/2 = 2/4$ (boys)
 $2/3$ (girls)
hence, the ratio is 3:4

29) $100\% - 24\% - 28\% = 48\%$
 $48\% - 28\% = 20\%$
 $20\% - 15$
 $100\% - 100/20 \times 15 = 75$ beans in the container

30) 14 times

PAPER 2

1) $10/(20 \times 2) = 10/40 = 1/4$

2) $56 \div 7 = 8$
 $8 \times 2 = 16$

3) $64 = 8 \times 8$
 $8 \times 8 \times 8 = 512$ cubic cm

4) $11 \times 9 = 99$
 $99 - 87 = 12$ eggs at first

5) $\$0.20 + \$0.50 = \$0.70$
 $\$7 \div \$0.70 = 10$
 $10 \times 2 = 20$ coins altogether

6) $6u -- 132$ cm
 $5u -- 5/6 \times 132 = 110$ cm

7) $4x^2 - 1 = 7$
 $7u -- 42$
 $4u -- 4/7 \times 42 = 24$

8) $11 \times 60 = 660$ cm
 $60 \times 4 = 2640$ cm

9) $6 \times 2 = 12$

10a) $12 + 5 = 17$ children
b) $25/30 = 5/6$

11) $76\% -- 19/$
 $100\% -- 100/76 \times 19 = 25/$

12a) 48
b) $6/48 \times 100\% = 12.5\% \approx 13\%$

13ai) 11
ii) 24
b) $19 - 1 = 18$
 $18 \div 2 = 9$

14) $11 + 4 = 15$
 $9 - 6 = 3$
a) $15 \div 3 = 5$ cousins
 $5 \times 6 = 30$
b) $30 + 4 = 34$ cupcakes

15a) $5/8 \times 1/2 = 5/16$
b) $1 - 5/16 - 3/8 = 5/16$
 $5u -- \$5.25$
 $16u -- 16/5 \times \$5.25 = \16.80 at first

16) $4u$ -- 84 tickets

a) $7u$ -- $7/4 \times 84 = 147$ tickets

b) $24u$ -- $24/4 \times 84 = 504$ tickets

17) Triangle, S:U = 3:8 = 12:32

Rectangle, S:U = 4:11 = 12:33

$12+32 = 44$

$44u$ -- 484 sq m

$77u$ -- $77/44 \times 484 = 847$ sq m

18) $4u - 3.5u = 0.5u$

a) $0.5 \times 6 \times 6 = 18$ sq cm

S:U

old 7:8

new 2:3

hence, 10u are removed

b) $10 \times 6 \times 6 = 360$ sq cm

