

Pei Chun Public School
Semestral Assessment 1 – 2015
Mathematics
Primary 4

Booklet A

Name: _____ ()

Date: 6 May 2015

Class: Primary 4 ____

Time: 2 h

Math Teacher: _____

Questions 1 to 15 carry 2 marks each. For each question, four options are given. One of them is the correct answer. Make your choice (1, 2, 3 or 4). Shade the correct oval (1, 2, 3 or 4) on the Optical Answer Sheet. (30 marks)

1. The value of the digit 9 in 39 671 is _____.

- (1) 9000
- (2) 900
- (3) 90
- (4) 9

2. Which of the following is a factor of 54?

- (1) 7
- (2) 6
- (3) 5
- (4) 4

3. Which of the following is a common factor of 18 and 48?

- (1) 8
- (2) 9
- (3) 3
- (4) 4

4. What is the value of $9008 \div 4$?

- (1) 225
- (2) 227
- (3) 2002
- (4) 2252

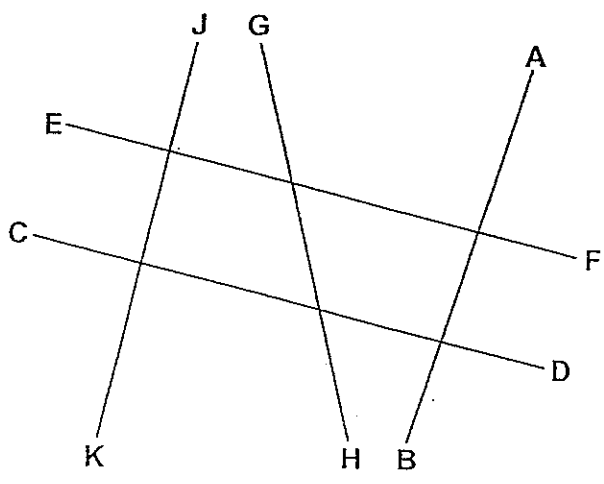
5. Express $\frac{37}{8}$ as a mixed number.

- (1) $8\frac{4}{5}$
- (2) $5\frac{4}{8}$
- (3) $4\frac{5}{8}$
- (4) $3\frac{7}{8}$

6. How many tenths are there in $3\frac{2}{5}$?

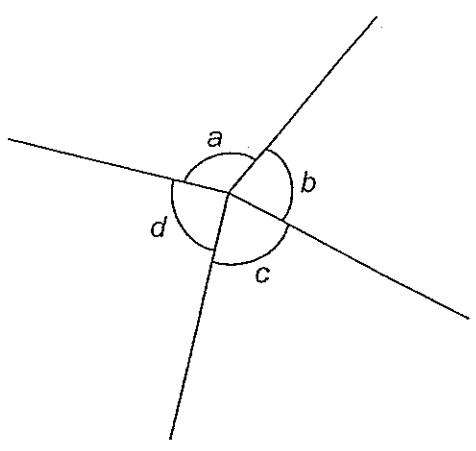
- (1) 10
- (2) 17
- (3) 32
- (4) 34

7. Which line is perpendicular to Line CD?



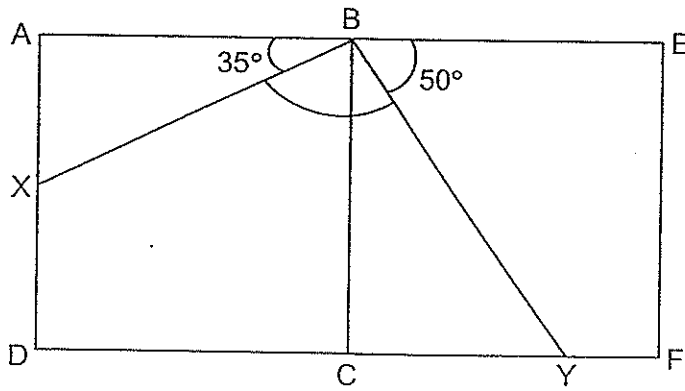
- (1) Line AB
- (2) Line EF
- (3) Line GH
- (4) Line JK

8. Which of the following angles is a right angle?



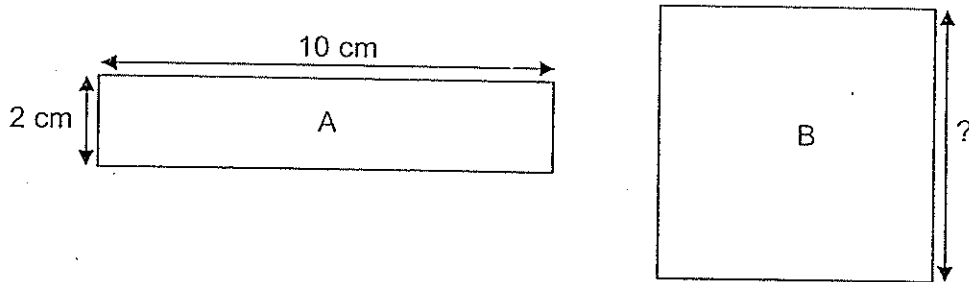
- (1) $\angle a$
- (2) $\angle b$
- (3) $\angle c$
- (4) $\angle d$

9. The figure below is made up of 2 squares. $\angle ABX = 35^\circ$ and $\angle EBY = 50^\circ$.



Find $\angle XBY$.

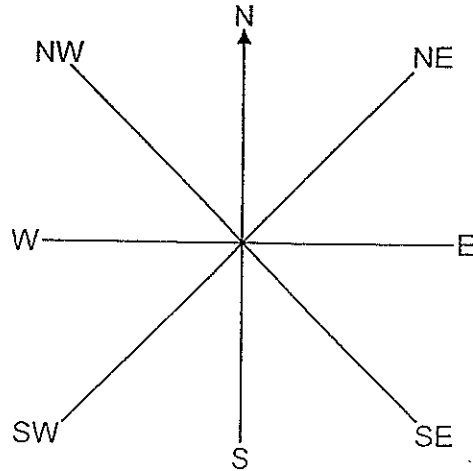
- (1) 95°
 - (2) 85°
 - (3) 55°
 - (4) 40°
10. Rectangle A and Square B have the same perimeter.



Find the length of one side of Square B.

- (1) 12 cm
- (2) 10 cm
- (3) 6 cm
- (4) 5 cm

11. Devi was facing south-west (SW) at first. She then made a $\frac{3}{4}$ -turn to her right.



Which direction does Devi face now?

- (1) South-east (SE)
(2) South-west (SW)
(3) North-west (NW)
(4) North-east (NE)
12. Jeremy watched a movie which lasted for 2 h 15 min. It ended at 3 p.m. What time did the movie start?
- (1) 12.15 p.m.
(2) 12.45 p.m.
(3) 1.15 p.m.
(4) 1.45 p.m.
13. Betty and Caili had an equal number of beads at first. Betty used $\frac{1}{2}$ of her beads and Caili used $\frac{1}{6}$ of her beads. They used 16 beads altogether. How many beads did Betty have in the end?
- (1) 20
(2) 12
(3) 8
(4) 4

14. A pail of capacity 6000 ml contains 950 ml of water.
5 full identical jugs of water are needed to fill the pail completely.
What is the capacity of one jug?
- (1) 1010 ml
 - (2) 1039 ml
 - (3) 1100 ml
 - (4) 1390 ml
15. Dehua had \$40 more than John. After Dehua spent \$26, he had twice as much money as John. How much money did Dehua have left?
- (1) \$7
 - (2) \$14
 - (3) \$28
 - (4) \$54

Pei Chun Public School
Semestral Assessment 1 – 2015
Mathematics
Primary 4

Booklet B

Name : _____ ()

Marks :

Class : Primary 4 ____

Date : 6 May 2015

Time : 2 h

Maths Teacher : _____

Parent's Signature : _____

Booklet A	30
Booklet B	70
TOTAL	100

Questions 16 to 30 carry 2 marks each. Show your working clearly in the space below each question and write your answers in the spaces provided. For questions which require units, give your answers in the units stated. (30 marks)

Do not write
in this space

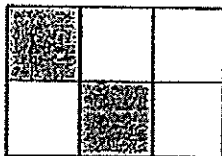
16. Write the following in figures.

- (a) Two thousand, nine hundred and fifteen
- (b) Forty-two thousand and sixty

Answer : (a) _____

(b) _____

17. The figure below is made up of unit squares. What fraction of the whole figure is shaded? Express your answer in the simplest form.



Answer : _____

--

18. In the space below, draw $\angle EFG = 55^\circ$. The line EF has been drawn for you. Mark and label the angle.

Do not write
in this space

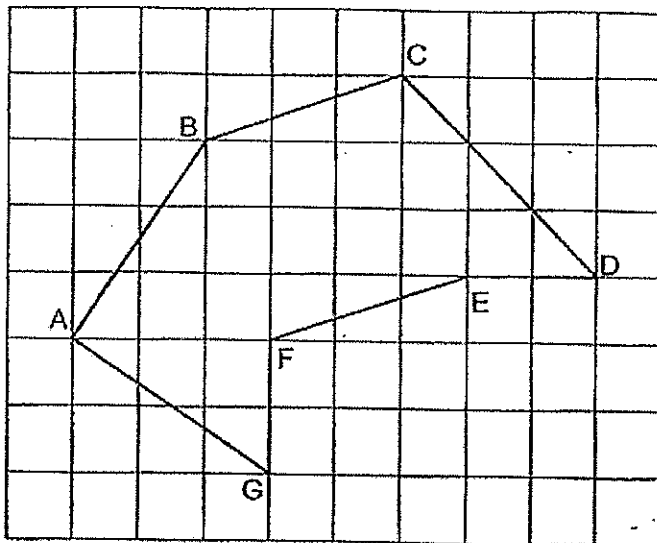


19. Arrange the following fractions from the smallest to the greatest.

$$\frac{1}{3} \quad \frac{1}{4} \quad \frac{2}{3}$$

Answer : _____ , _____ , _____
smallest

20. In the figure below,



- (a) Name a pair of parallel lines.
(b) Name a pair of perpendicular lines.

Answer : (a) _____ // _____

(b) _____ \perp _____

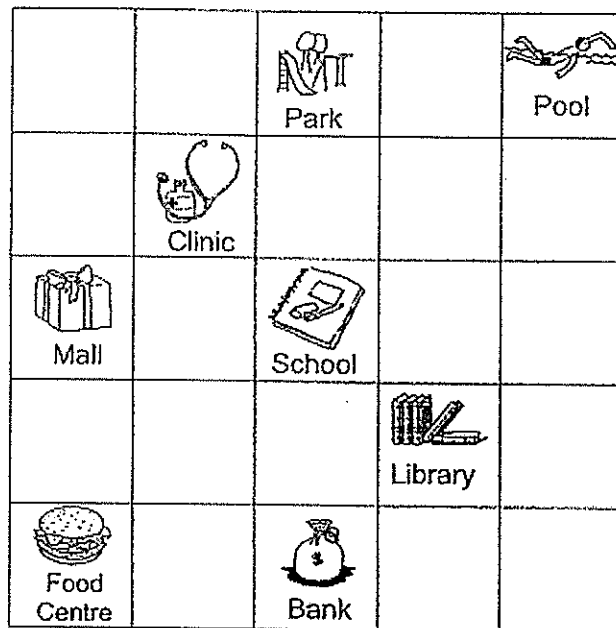
SCORE

21. Find the value of $5 - \frac{3}{10}$.
Express your answer as a mixed number.

Do not write
in this space

Answer : _____

22. The square grid below shows some places in a neighbourhood.



- (a) In what direction is the Library from the Bank?
- (b) Michael was in the School facing South. He then turned 225° in a clockwise direction. Which place would Michael be facing then?

Answer : (a) _____

(b) _____

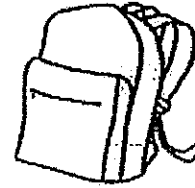
SCORE

--

23. Nicholas bought a school bag and two pairs of socks. How much change will he receive if he gives the cashier \$50?



\$2.50
each pair



\$29.90

Do not write
in this space

Answer : \$ _____

24. The area of a square is 100 cm^2 . Find the perimeter of the square.

Answer : _____ cm

25. Mrs Joe bought 3 sardine buns, 5 tuna buns and 8 cheese buns. What fraction of the buns Mrs Joe bought were tuna buns?

Answer : _____

26. In a class of 35 pupils, $\frac{4}{7}$ of them wear spectacles. How many pupils in the class wear spectacles?

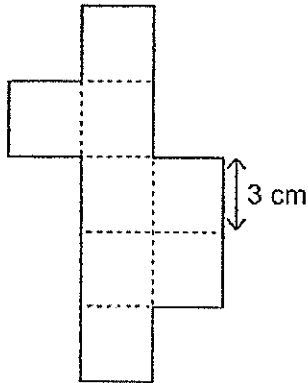
Answer : _____

SCORE

--

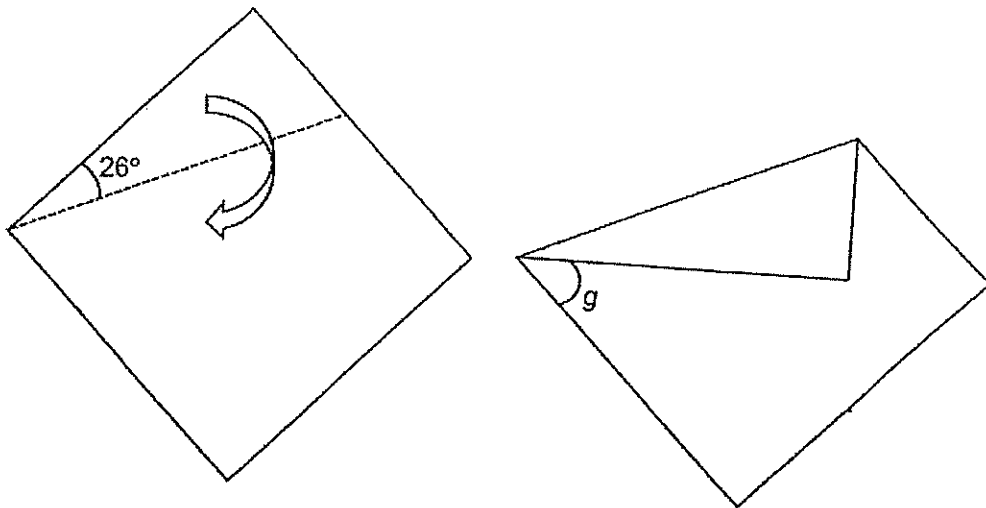
27. The figure below is formed by eight 3-cm squares. Find the perimeter of the figure.

Do not write in this space



Answer : _____ cm

28. Pauline has a piece of square paper. She folded it along the dotted line as shown below. Find $\angle g$.



Answer : _____ °

SCORE

Do not write
in this space

29. A bottle is $\frac{5}{6}$ full when it is filled with 10 l of water. How much water is there in the bottle when it is $\frac{1}{2}$ full?

Answer : _____ l

-
30. Mrs Lee visits the old folks home every 4 days and Mrs Salmi visits the old folks home every 5 days. If they meet each other at the old folks home on 5 June, when will be the next date they meet each other again at the old folks home?

Answer : _____

SCORE

--

For questions 31 to 40, show your working clearly and write your answers in the spaces provided. The number of marks available is shown in brackets [] at the end of each question or part-question. (40 marks)

Do not write
in this space

31. There are 4983 residents in Town A. There are three times as many residents in Town B as in Town A.

- (a) How many residents are there in Town B?
- (b) How many residents are there in both towns altogether?

Answer : (a) _____ [2]

(b) _____ [2]

SCORE

--

32. Mrs Phua used 2500 ml of lemon syrup and some water to make lemonade. She poured all the lemonade equally into 40 cups. Each cup contained 200 ml of lemonade.

Do not write
in this space

- (a) How much lemonade, in ml, did she make?
- (b) How much water, in ml, did she use to make the lemonade?

Answer : (a) _____ [2]

(b) _____ [2]

SCORE

--

33. Ken has 48 marbles in a box. $\frac{1}{8}$ of the marbles are yellow. $\frac{1}{4}$ of them are blue and the remaining marbles are green.

- (a) What fraction of the marbles are green?
- (b) How many blue marbles does Ken have in the box?

Do not write
in this space

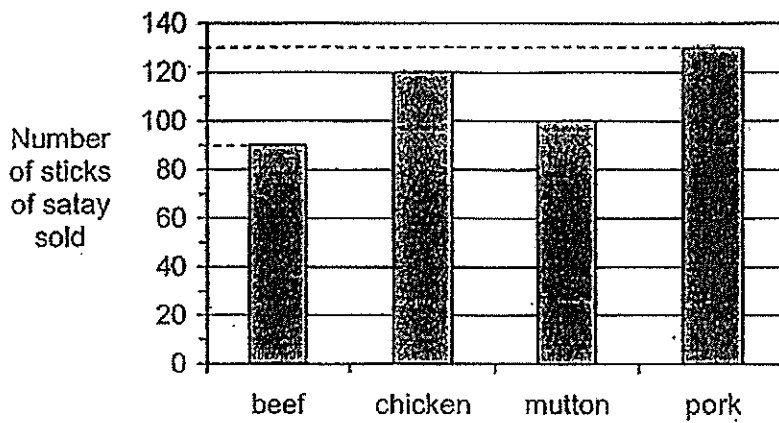
Answer : (a) _____ [2]

(b) _____ [2]

SCORE

34. The bar graph below shows the number of sticks of satay Mr Muthu sold on Tuesday.

Do not write
in this space



- (a) What was the total number of sticks of satay Mr Muthu sold?
- (b) Mr Muthu sold each stick of beef satay at 70¢. How much money did he collect from the sale of the beef satay? Give your answer in dollars.

Answer : (a) _____ [2]

(b) _____ [2]

SCORE

35. Wendy has \$107 more than Rina. Belinda has \$60 less than Wendy. The three girls have a total of \$415.

- (a) How much money does Rina have?
- (b) How much money does Belinda have?

Do not write
in this space

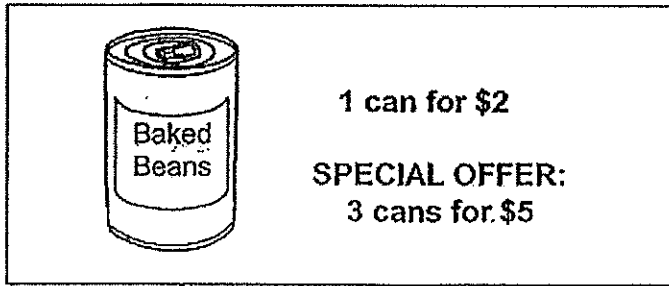
Answer : (a) _____ [2]

(b) _____ [2]

SCORE

36. A supermarket has a special offer on baked beans.

Do not write
in this space



Zachery has \$109. What is the greatest number of cans of baked beans he can buy?

Answer : _____ [4]

SCORE

--

37. Mabel has 13 notes. There are only two-dollar notes and ten-dollar notes. The total amount of money is \$50. How many ten-dollar notes does Mabel have?

Do not write
in this space

Answer : _____ [4]

SCORE

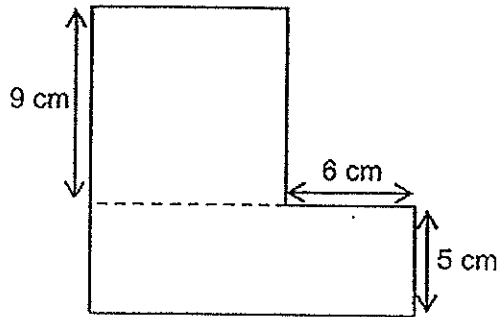
38. Taha and Devi baked 238 cupcakes altogether. After Taha sold $\frac{1}{5}$ of his cupcakes and Devi sold 31 of her cupcakes, they had the same number of cupcakes left. How many cupcakes did they have left?

Do not write
in this space

Answer : _____ [4]

SCORE

39. The figure below is made up of a square and a rectangle.
What is the area of the figure?



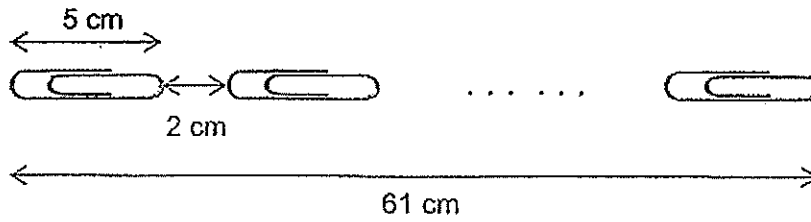
Do not write
in this space

Answer : _____ [4]

SCORE

40. Osman placed a number of paper clips measuring 5 cm each on a straight line leaving a gap of 2 cm between each paper clip. The distance between the tip of the first paper clip and the end of the last paper clip was 61 cm. How many paper clips did Osman place on the straight line?

Do not write
in this space



Answer : _____ [4]

End of Paper

Ans

EXAM PAPER 2015

SCHOOL : PEI CHUN

SUBJECT : P4 MATHEMATICS

TERM : SA1

ORDER CALL : MR GAN @ 92998971 92475053 86065443

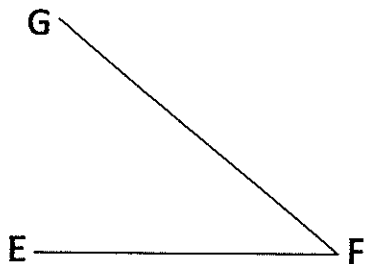
Q1	Q2	Q3	Q4	Q5	Q6	Q7	Q8	Q9	Q10
1	2	3	4	3	4	4	4	1	3
Q11	Q12	Q13	Q14	Q15					
1	2	2	1	3					

16) a) 2915

b) 42060

17) $\frac{1}{3}$

18) G



19) $\frac{1}{4}, \frac{1}{3}, \frac{2}{3}$

20) a) $FE \parallel BC$ 20) b) $AB \perp AG$

21) $4 \frac{7}{10}$

22) a) North-east 22) b) Pool

23) \$15.10

24) $100 \div 2 = 10$

$10 \times 4 = \underline{40 \text{ cm}}$

25) $\frac{5}{16}$

26) 20

27) 48

28) 38°

29) 6 L

30) 25 June

31) a) $4983 \times 3 = \underline{14949}$

b) $14949 + 4983 = \underline{19932}$

32) a) $40 \times 200 = \underline{800 \text{ ml}}$

b) $8000 - 2500 = \underline{5500 \text{ ml}}$

33) a) $\frac{1}{8} + \frac{1}{4} = \frac{1}{8} + \frac{2}{8}$

$= \frac{3}{8}$

$\frac{8}{8} - \frac{3}{8} = \underline{\frac{5}{8}}$

b) $48 \div 8 = 6$

$6 \times 2 = \underline{12}$

$$34) a) 90 + 120 + 100 + 130 = \underline{440}$$

$$b) 90 \times 70\text{¢} = 6300\text{¢}$$

$$6300 \text{ ¢} = \underline{\$63}$$

$$35) a) 3u = 415 - 47 - 107$$

$$= 261$$

$$1u = 261 \div 3$$

$$= \underline{\$87}$$

$$b) 87 + 47 = \underline{\$134}$$

$$36) 109 \div 5 = 21$$

$$21 \text{ groups} = 21 \times 3$$

$$= 63$$

$$\text{Remaining} = 4 \div 2$$

$$= 2$$

$$63 + 2 = \underline{65}$$

37) Assuming all 13 notes are \$2 notes,

$$\text{Total} = 13 \times 2$$

$$= 26$$

$$\text{Extra} = 50 - 26$$

$$= 24$$

$$\text{Diff} = 10 - 2$$

$$= 8$$

$$24 - 8 = \underline{3}$$

$$38) 9u = 338 - 31$$

$$= 207$$

$$1u = 207 \div 9$$

$$= 23$$

$$\text{Left} = 23 \times 8$$

$$= \underline{184}$$

$$39) 9 \times 9 = 81$$

$$15 \times 5 = 75$$

$$81 + 75 = \underline{156}$$

$$40) 5 + 2 = 7$$

$$61 \div 7 = 8R5$$

$$8 + 1 = \underline{9}$$